

**AERO Office**

Pricing Guide

February 2013





## **Contents**

<b>Ordering Information</b>	<b>3-4</b>
<b>Materials</b>	<b>5</b>
<b>Care and Maintenance</b>	<b>6</b>
<b>Design Team</b>	<b>7</b>
<b>Wood Species &amp; Finishes</b>	<b>8</b>
<b>Design Concept</b>	<b>9</b>
<b>Standard Elevations</b>	<b>10</b>
<b>Planning Guide</b>	<b>11</b>
<b>Landing Zone</b>	<b>12</b>
<b>Pedestals</b>	<b>13</b>
<b>AERO L Stations</b>	<b>14-29</b>
<b>AEROT Stations</b>	<b>30-44</b>
<b>AERO U Stations</b>	<b>45-58</b>
<b>AERO F Stations</b>	<b>59-65</b>

## Ordering Information

### Orders

All orders must be complete and in writing to avoid error or duplication. Review this Ordering Guide to ensure necessary information is included on your purchase. Omission of pertinent information may cause delays in production of your order.

### Acceptance

Order acceptance is contingent upon credit approval. Accepted orders will be acknowledged with a CCN Acknowledgement Form; this document is final and binding. CCN International is not responsible for any misinterpretation unless notification is made to CCN within 10 days after order acceptance. CCN strives to clarify all purchase orders. In the event the catalog number and description differ, the catalog number will prevail. It is the customer's responsibility to check the Acknowledgement Form for errors. If a specific date is required for delivery, please indicate on your purchase order and we do our best to accommodate your request. All acknowledgements contain an estimated shipping date. Buyer may be held liable for storage charges if not ready to receive goods when orders are completed.

### Prices

Customer agrees to pay for all items ordered from CCN in accordance with the published price list in effect at the date of order acceptance, or in the case of modified product, the factory quote. For quoted products, please include CCN quote number on your purchase order. Prices and specifications are subject to change without notice.

### Terms and Discounts

Standard terms of sale for CCN are net thirty (30) days from date of invoice. All prices are quoted F.O.B. factory. Dealer discounts in effect between CCN and authorized CCN dealers will be honored from list price unless another agreement between both parties has been made. Finance charges will be assessed on overdue balances.

### Deposit

CCN typically requests a minimum deposit of 50% prior to commencement or shipment of merchandise. CCN will request the exact amount required and the date due in writing. If you have been notified that a deposit is required, production will cease if deposit is not received by specified date. Your responsiveness to deposit requests may affect your lead-time.

### Specifications

CCN International's ongoing product improvement program may result in changes in design, construction, or discontinued products without notice.

### Changes and Cancellations

Any order changes or requests for cancellation after receipt of the CCN order acknowledgement are subject to our ability to conform and will be subject to a charge for our expense of materials, labor or other costs incurred by CCN, depending on the status of the order at the time of the change or cancellation request.

### Return Goods Authorization

CCN will not accept the return of merchandise for any reason, without prior approval from CCN Management and Customer Service Department. Unauthorized returns will be refused.

## Ordering Information

### Shipping

CCN International orders will be shipped freight collect, bill third party or prepaid and added to the invoice. Shipments will be made “best way” unless a carrier has been specified by the purchaser. Large items such as reception desks must be shipped by a blanket wrapped carrier. All orders are shipped F.O.B. factory. Customer bears risk of loss or damage during shipment. We will make every attempt to ship orders complete and on schedule; however CCN reserves the right to make partial shipments. If a customer requests postponement of delivery after production has begun, CCN reserves the right to transfer furniture to storage at the customer’s own risk and expense or assess storage charges for furniture stored at CCN if space is available. Such transfer or storage shall be deemed delivery to customer for all applicable invoicing and payment. Specific delivery dates and times cannot be guaranteed. However, CCN recognizes the importance of coordinating delivery and installation and will forward requests to the trucking company. Under no circumstances will CCN or the trucking company be held responsible for any costs incurred due to late delivery.

### Freight Damage and Claims

CCN is not liable for damage to furniture during transit or storage. Each shipment is packed by expert packers and responsibility for loss or damage lies with the carrier. Acceptance of the shipment from CCN acknowledges that all articles were packed properly and delivered in excellent condition. If concealed damage is discovered after unpacking merchandise notify the CCN immediately. Do not destroy packing materials until the shipment has been inspected. CCN suggest the words “subject to inspection” accompany the signature if the goods are curtailed, and cannot be examined at the time of receipt. Please do not refuse any shipment, since by doing so you abandon all rights to the shipment. In all cases, the burden of proof for liability rests with the claimant. Good receiving practices and proper inspection of goods at the time of CCN International orders will be shipped freight delivery for all shipments will help to ensure all bona fide claims are collected from the transportation companies.

### Warranty

CCN International warrants its furniture to be free from defects in material and workmanship under normal use and service for a period of ten years from the date of shipment. During this warranty period, CCN International’s obligation is limited only to the repair, or at its discretion, the replacement of such furniture which, upon return to factory or upon examination, proves to be defective. Any damages incurred during transit or damages incurred by the customer are not applicable under this warranty. CCN International makes no other warranty, either expressed or implied, including without limitation the product’s condition, its merchantability, or its fitness for any particular use or purpose.

## **Materials**

### **Wood Products**

All pieces are built with 45 lb. per cubic foot density engineered composite board, faced with quartersawn, rift cut, or plain sliced veneer. Painted components are built with medium density fiberboard. Exterior faces are premium grade veneer with specific veneer piece count determined by the width of the panel. Exposed edges are core banded with solid wood. The solid wood moisture at the time of application is between 6% and 8%.

### **Hardware used to build CCN Products**

All case goods are equipped with adjustable levelling glides to assure level set-up and protection of floor coverings. All pieces are constructed square to sit level on flat surfaces. Hinged doors have fully concealed 3-way adjustable hinges. Doors with exposed hardware or bottom edge access have magnetic catch. Doors without pulls use a touch latch to open. Removable access panels are mounted using clips and a magnetic catch.

### **Construction of CCN Products**

All case goods are glued and clamped with dowels or compressed splines. Pedestals and modesty panels are secured with screws and reinforced with glue cleats. Metal connectors are used in conjunction with type A screws where a knockdown joint is necessary. Any exposed undersides of panels or surfaces are sprayed with a high solids sealer to improve stability of the item under varying climate conditions.

## Care and Maintenance

Certain precautions will preserve the beauty of your new wood furniture. High or low humidity extremes can cause warping, cupping, veneer checking, and joint separation. CCN will not be responsible for the humidity controlled care of the item once it leaves the factory.

Wet objects should be placed on coasters and writing should be done on a desk pad. Sharp metal objects such as keys, spring binders, and briefcase hinges should be kept from direct contact with the furniture. Bottoms of decorative items, such as flower vases and desk accessories should also be protected.

Contact between finish and certain plastic compounds may result in discoloration and finish damage. CCN recommends the use of felt pads under plastic telephones or other business machines feet to protect the finish.

Dust build-up, may scratch or dull the surface if not removed correctly. Simply wipe the surface with a cloth dampened with a mild detergent and dry with a soft towel. Avoid the use of ammonia based products, polish containing wax or silicone oils as they may cause damage if used over a long period of time. The finish is durable and resistant to most ordinary spills. However, spills should be wiped up promptly to avoid potential problems. Fingerprints, smoking residue, and other substances may accumulate on any finished surface. None of these contaminants will harm our finish, but they should be periodically removed to restore the finish to its original luster. Just wipe the surface with a cloth dampened with a non-wax containing polish or mild detergent solutions.

### **Anticipation of Color Change**

All wood is photosensitive and changes color over time. This natural change occurs depending on the initial color of the wood and is especially apparent with lighter finishes. Some woods may change dramatically with exposure to direct sunlight. When ordering additional pieces for an existing installation, it is advisable to submit a finish sample with your order.

## **Design Team**

### **Qdesign** Chicago, IL

Founded in 1994 by Mark Stenftenagel and Sal Graziano, Qdesign is the product design subsidiary of Whitney Inc., a full service architectural and interior design firm with over 70 combined years of experience.

Vision... Seeing the future while looking to the past.

Passion... Bringing enthusiasm and dedication to each design challenge.

Connection... Embodying clients' goals through collaboration and innovation.

Curiosity... Asking the questions that lead to enduring design solutions.

### **Design Inspiration & Goals**

Minimalist

Purity of Form

Full Power & Data Accessibility

Two-Tone Finish or Matching Wood

Aesthetically Simple, Structurally Complex

Mixed Materials

Functional in Today's Office

## Wood Species & Finishes

### AERO Finish Program

Part of AERO's unique aesthetic lies in the finish combinations. In the all wood option please select vertical or horizontal grain direction for the doors, drawer fronts, and modesty panels. High-quality wood finishes can be combined with Chalk painted sub-tops. Also Chalk painted modesty panels, drawer fronts and doors are available.

### Premium Wood Veneers

- Plain Sliced Walnut
- Plain Sliced Maple
- Plain Sliced Cherry
- Quarter Cut Walnut
- Quarter Cut Maple
- Quarter Cut Cherry
- Rift Cut Oak

The wood species above are finished with any of the standard colors. For more information visit [www.ccnintl.com/FINISHES](http://www.ccnintl.com/FINISHES).

### Finishes

#### Standard Wood Finishes

Our finish program is represented using a number system from the lightest (#2 clear) to the darkest (#8 dark brown). These standard shades compliment the various species in a variety of ways thus creating a broad pallet.

#### Hardware

Aero's standard hardware includes a  $\frac{1}{2}$ " x  $5\frac{3}{4}$ " Bar Pull and 2" x  $3\frac{1}{2}$ " Rectangular Grommets in satin nickel finish.

### Finish Options

#### Sub-Top Finish

Matching Wood or Chalk

#### Doors, Drawer Fronts and Modesty

Wood or Chalk

If Wood indicate Vertical or Horizontal grain direction.





## Design Concept

### AERO Office

Inspired by our award winning Aero Conferencing Series Aero Office has beautiful carefully selected and sequenced veneers that have always been a CCN signature.

Desks, credenzas and floor supported tall storage cabinets have fully detailed tops and end panels including a knife edge and sub-tops available in matching wood or Chalk. All floor supported components have fully detailed tops and end panels. The tops on these components have a long grain direction and are mitered to the end panels. The grain continues from the top and waterfalls down the end panel.

Credenza supported towers and wall hung overhead storage components have full overlay doors.

**Doors, Drawer Fronts and Modesty Panels** are available in Wood or Chalk. The wood option is available with either vertical or horizontal grain.

Workstation Desks and returns step down onto the low credenza tops making a graceful fully detailed transition.

Workstation Credenzas feature a desk or return landing zone that includes a power hub and fully integrated wire management with access to the wall for concealed voice, power and data connections.

Wall hung storage cabinets have unique, low profile LED task lighting and fabric tackboards. Please select Guilford Anchorage Panel 2335 or COM.



## AERO Standard Elevations

### Low Credenzas

(23" high) to be used in conjunction with standard height desks and bridges. They are also referred to as workstation credenzas. These low credenzas are always "full storage" and include a "landing zone" pedestal for connecting desks or bridges.

### Tall Storage

Is available with either credenza supported or floor supported tall cabinets. Credenza supported towers are 38", 44", or 56" high for overall heights of 61", 67" or 79". Floor supported tall storage cabinets are available 67" and 79" high.

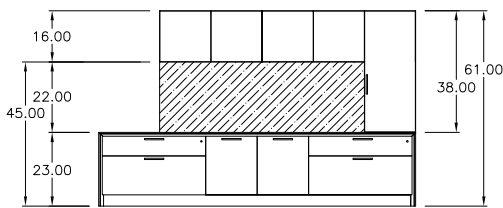
### Wall Hung Cabinets

are available at 16" high (no shelf) or 28" high (1 adjustable shelf) and tackboards are available either 22" or 28" high to correspond to components above.

### Standard Height Credenzas

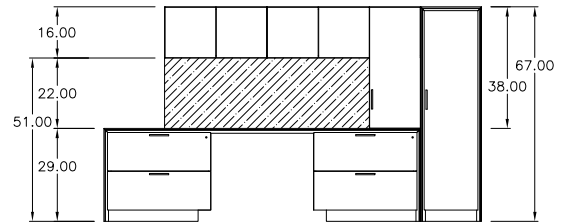
(29" high) are available with knee spaces. These can be used for work walls or can be used along with other standard height components for a more traditional 29" high workstation. Overall heights in this category can be 67", 79", or 85" high using standard components.

#### Low Workstation Credenzas

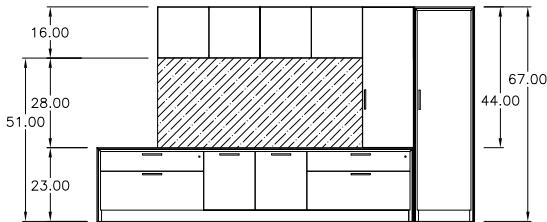


Elevation 1

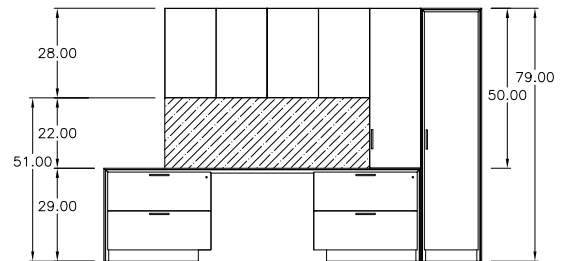
#### High Workstation Credenzas



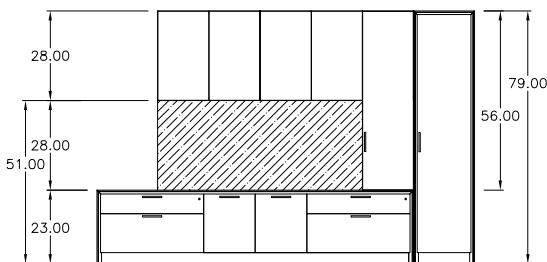
Elevation 4



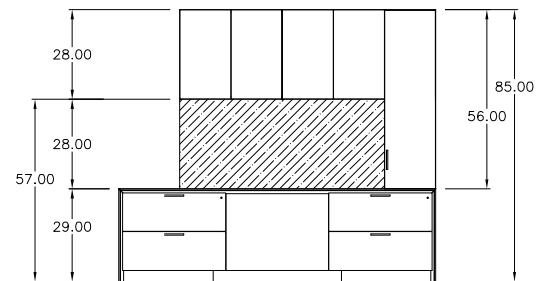
Elevation 2



Elevation 5



Elevation 3



Elevation 6

## Planning Guide

### Dimensional Details

Pedestal widths are 16" and 32". Desks, Credenzas and Tall Cabinets(floor supported) have 1½" end panels.

Credenza supported towers and wall hung cabinets have full overlay doors and widths are the same as pedestals, based on a 16" increment.

Run-Off Desks and Bridges connect to low credenzas with a stand-off of 8" between the end of the desks and bridges and the back of the credenzas. Please take this into consideration when space planning.

### Component Sizes

#### Desks

32 x 67  
32 x 75  
32 x 83  
40 x 90

#### Credenzas

24 x 35  
24 x 51  
24 x 67  
24 x 85  
24 x 99  
24 x 115

#### Bridges

24 x 48  
24 x 64

#### Returns

24 x 33.5  
24 x 49.5  
24 x 65.5

#### Tall Cabinets(Floor Supported)

24 x 19  
24 x 35

#### Towers(Credenza Supported)

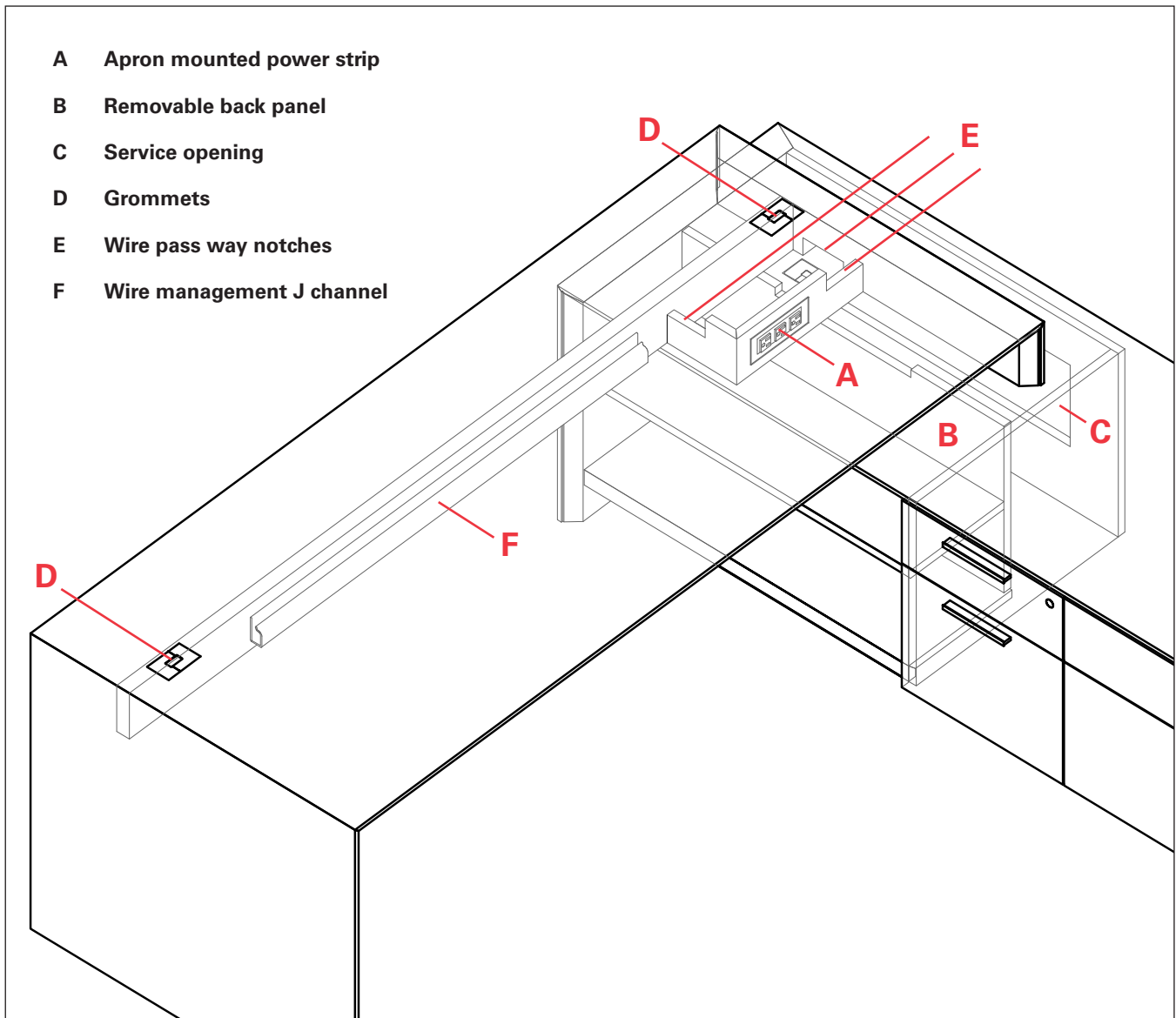
15 x 16  
15 x 32

#### Wall Hung Cabinets

15 x 32  
15 x 48  
15 x 64  
15 x 80  
15 x 96

## Landing Zone

Desks and returns drop down onto low credenzas over a landing zone pedestal. This pedestal has a bookshelf with a removable back that allows access to wall mounted voice power and data through a service opening in the back panel. The Desk or bridge includes a recessed apron mounted power strip. A wire pass way is provided from the top of the desk and down to the plug strip or through the credenza top to the wall access cutout.



## AERO Pedestals

### For Workstation Credenzas 23" High

#### 16" Wide Pedestal

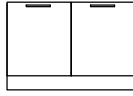


**h**  
Hinged Door  
Cabinet



**a**  
Box/File

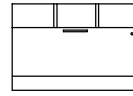
#### 32" Wide Pedestal



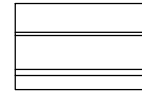
**hh**  
Hinged Door  
Cabinet



**t**  
Box/Lateral



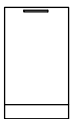
**q**  
Organizer/Lateral



**x**  
Landing Zone/Bookcase  
Includes removable  
back panel and service  
opening for wall access

### For 29" High Credenzas

#### 16" Wide Pedestal



**H**  
Hinged Door  
Cabinet

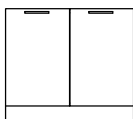


**A**  
Box/Box/File

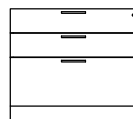


**B**  
File/File

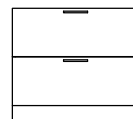
#### 32" Wide Pedestal



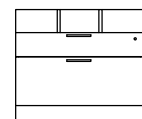
**HH**  
Hinged Door  
Cabinet



**T**  
Box/Box/File



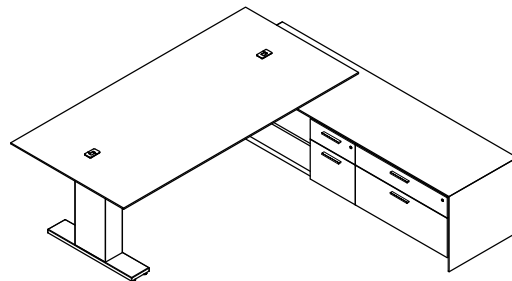
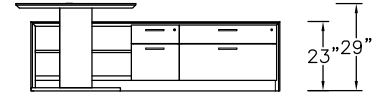
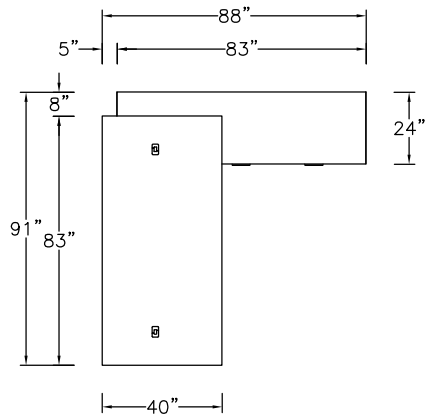
**E**  
Lateral File



**Q**  
Organizer/Box/Lateral

**Aero L Stations**



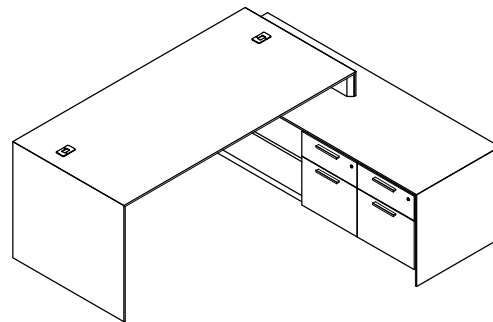
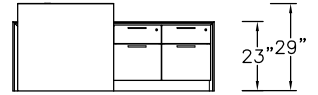
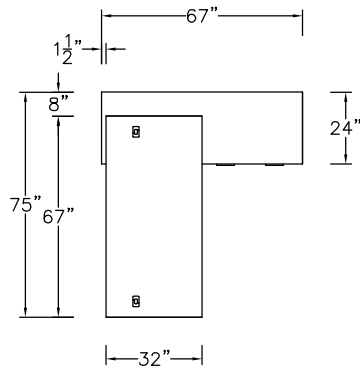


Model	Description	D	W	H	List Price	Weight-lbs
L Workstation						
ADTU-4083-0-MHR	RunoffTable Desk	40"	83"	29"	\$4712	163
AC0-248323-xat-GFL	Credenza, landing zone, b/f, b/lat peds	24"	83"	23"	\$6474	389

\$11186

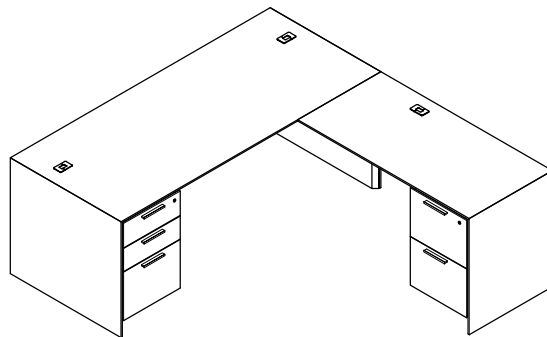
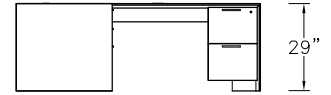
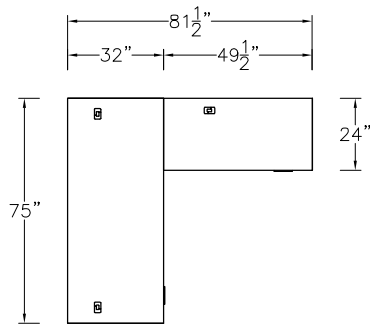
552

15



Model	Description	D	W	H	List Price	Weight-lbs
L Workstation						
ADS-3267-0-MHR	Station Desk without modesty	32"	67"	29"	\$3106	113
AC0-248323-xaa-GFL	Credenza, landing zone, b/f, b/f peds	24"	83"	23"	\$6221	369

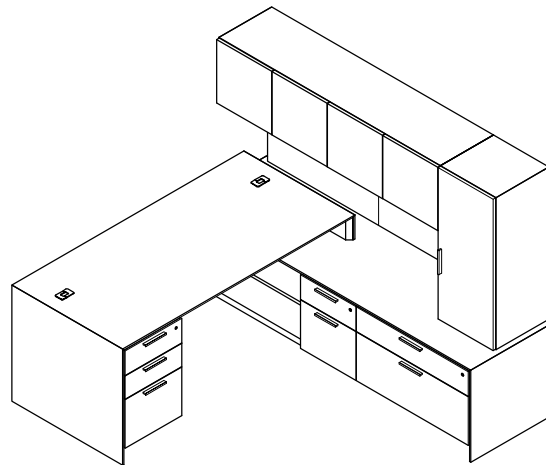
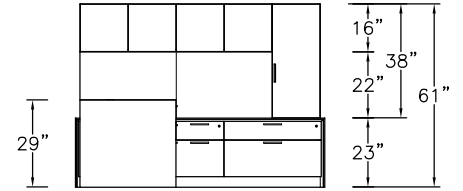
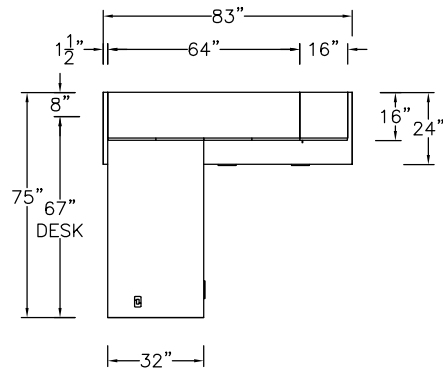




Model	Description	D	W	H	List Price	Weight-lbs
L Workstation						
AD0-3275-AL-MHR	Desk without modesty, b/b/f ped left	32"	75"	29"	\$4918	228
AR0-2450-BR-GBA	Return, f/f ped right	24"	49.5"	29"	\$3145	146

\$8063

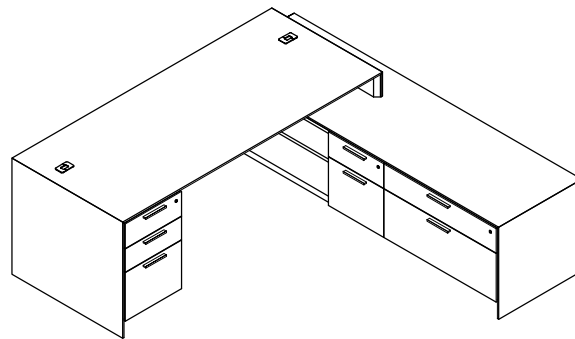
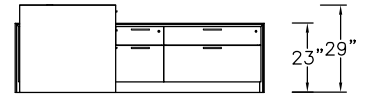
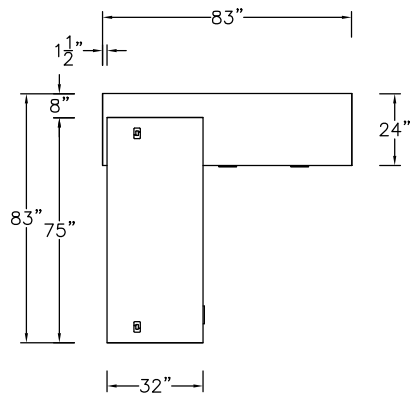
374



Model	Description	D	W	H	List Price	Weight-lbs
L Workstation						
ADS-3267-AL-MHR	Station Desk without modesty, b/b/f ped left	32"	67"	29"	\$4581	193
AC0-248323-xat-GFL	Credenza, landing zone, b/f, b/lat peds	24"	83"	23"	\$6474	389
ASWH2-166416-0-TBF	Wall Hung, hinged doors, 2-bay, LED lighting & tackboard	16"	64"	16"	\$4007	137
ASHT12-161638-R	Hinged Door Tower, 1 bay, 2 adj shelves right	16"	16"	38"	\$1721	65

**\$16783**

**784**



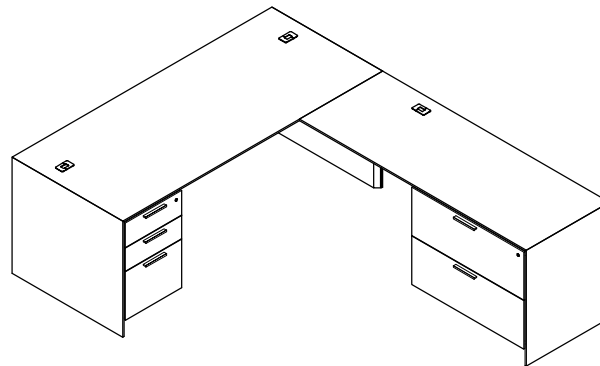
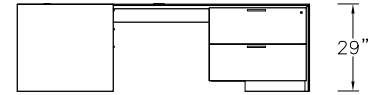
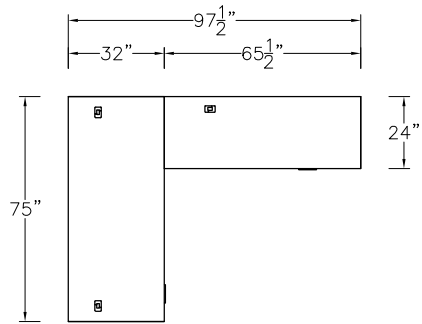
Model	Description	D	W	H	List Price	Weight-lbs
L Workstation						
ADS-3275-AL-MHR	Station Desk without modesty, b/b/f ped left	32"	75"	29"	\$4699	202
AC0-248323-xat-GFL	Credenza, landing zone, b/f, b/lat peds	24"	83"	23"	\$6474	389

\$11173

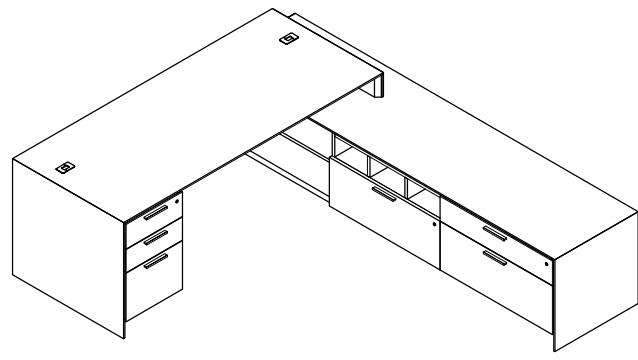
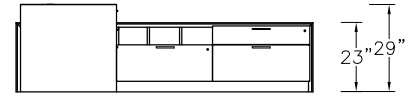
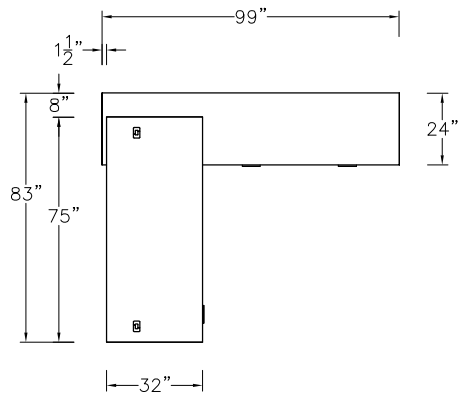
591

19





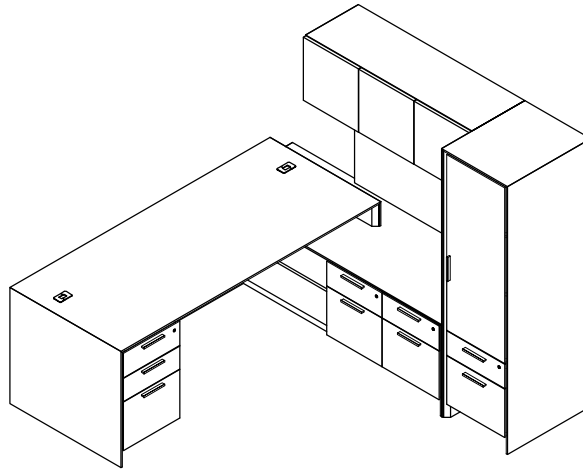
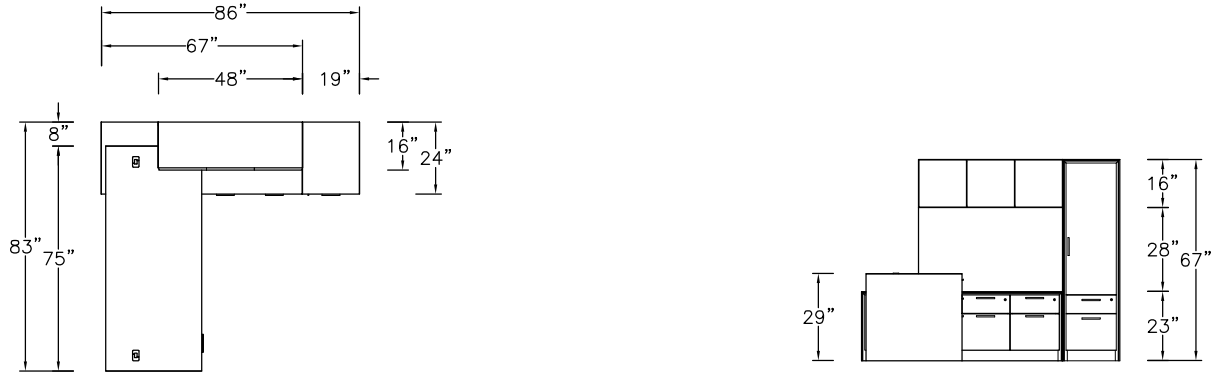
Model	Description	D	W	H	List Price	Weight-lbs
L Workstation						
AD0-3275-AL	Desk without modesty, b/b/f ped left	32"	75"	29"	\$4568	228
AR0-2466-ER-GBA	Return, lat ped right	24"	65.5"	29"	\$3505	179



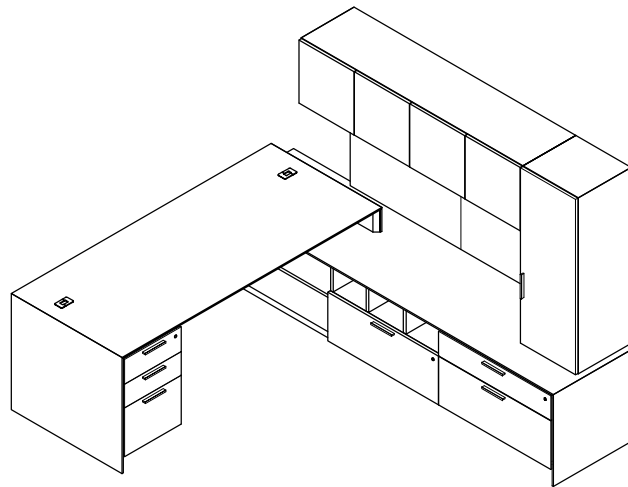
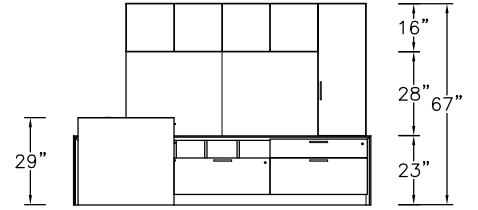
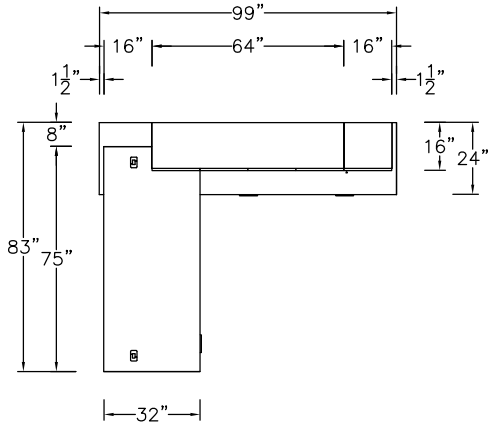
Model	Description	D	W	H	List Price	Weight-lbs
L Workstation						
ADS-3267-AL-MHR	Station Desk without modesty, b/b/f ped left	32"	67"	29"	\$4581	193
AC0-249923-xqt-GFL	Credenza, landing zone, org over lat, b/lat peds	24"	99"	23"	\$6799	398

\$11380

591



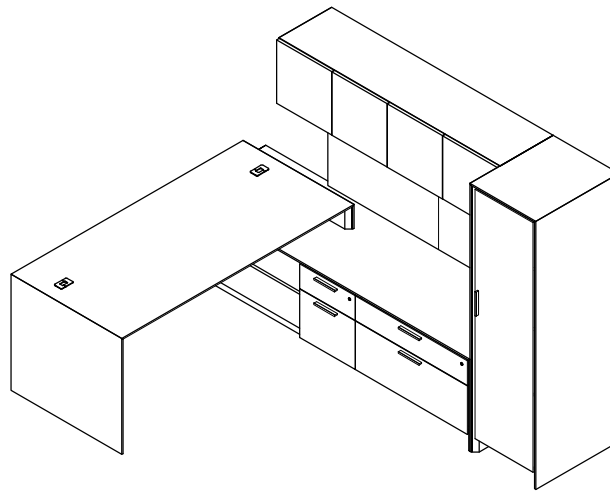
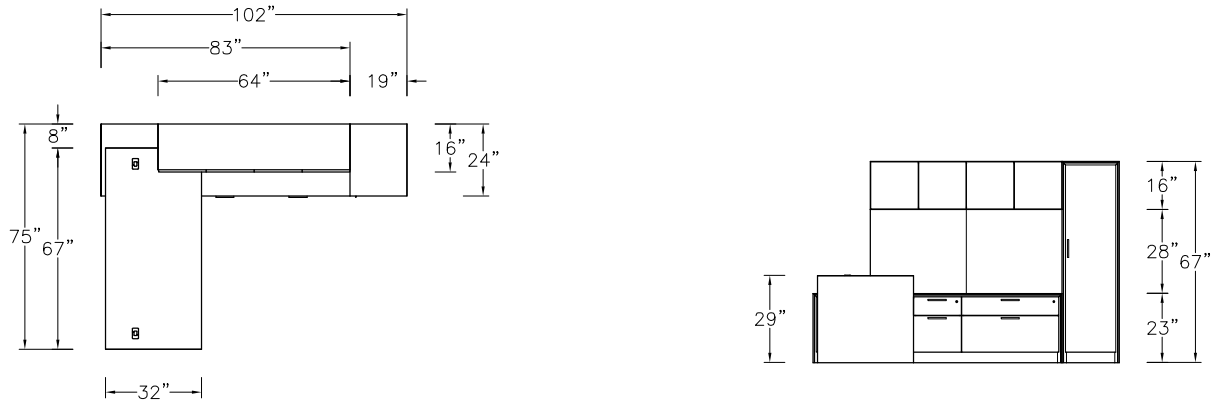
Model	Description	D	W	H	List Price	Weight-lbs
<b>L Workstation</b>						
ADS-3275-AL-MHR	Station Desk without modesty, b/b/f ped left	32"	75"	29"	\$4699	202
AC0-246723-xaa-GFL	Credenza, landing zone, b/f, b/f peds	24"	67"	23"	\$5988	349
ASWH2-164816-0-TBF	Wall Hung, hinged doors, 2-bay, LED lighting & tackboard	16"	48"	16"	\$3611	107
ASS0122-241967-R	File Storage Anchor, 1 bay, 2 adj shelves over b/f right	24"	19"	67"	\$4682	232
					<b>\$18980</b>	<b>890</b>



Model	Description	D	W	H	List Price	Weight-lbs
L Workstation						
ADS-3275-AL-MHR	Station Desk without modesty, b/b/f ped left	32"	75"	29"	\$4699	202
AC0-249923-xqt-GFL	Credenza, landing zone, org over lat, b/lat peds	24"	99"	23"	\$6799	398
ASWH2-166416-0-TBF	Wall Hung, hinged doors, 2-bay, LED lighting & tackboard	16"	64"	16"	\$4007	137
ASHT12-161644-R	Hinged Door Anchor, 1 bay, 2 adj shelves right	16"	16"	44"	\$1830	71

\$17335

808

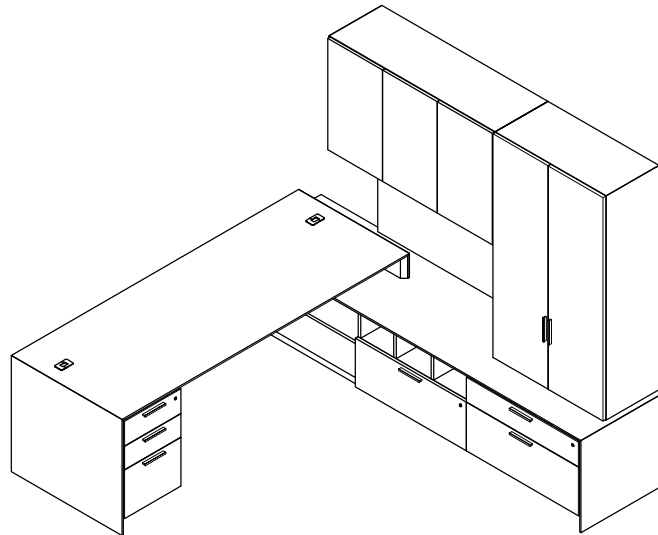
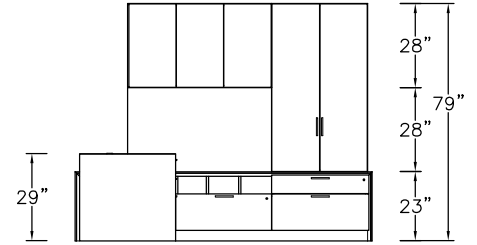
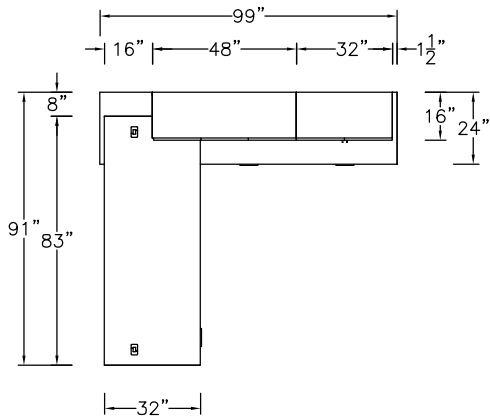


Model	Description	D	W	H	List Price	Weight-lbs
<b>L Workstation</b>						
ADS-3267-0-MHR	Station Desk without modesty	32"	67"	29"	\$3106	113
AC0-248323-xat-GFL	Credenza, landing zone, b/f, b/lat peds	24"	83"	23"	\$6474	389
ASWH2-166416-0-TBF	Wall Hung, hinged doors, 2-bay, LED lighting & tackboard	16"	64"	16"	\$4007	137
ASH013-241967-R	Hinged Door Anchor, 1 bay, 3 adj shelves right	24"	19"	67"	\$3589	202

**\$17176**

**841**

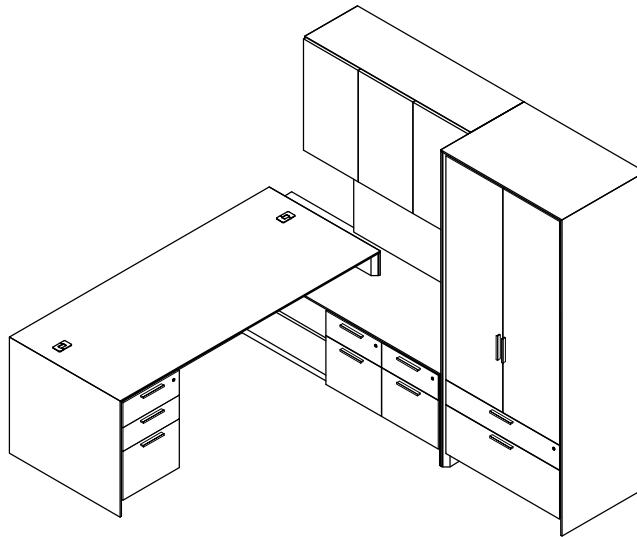
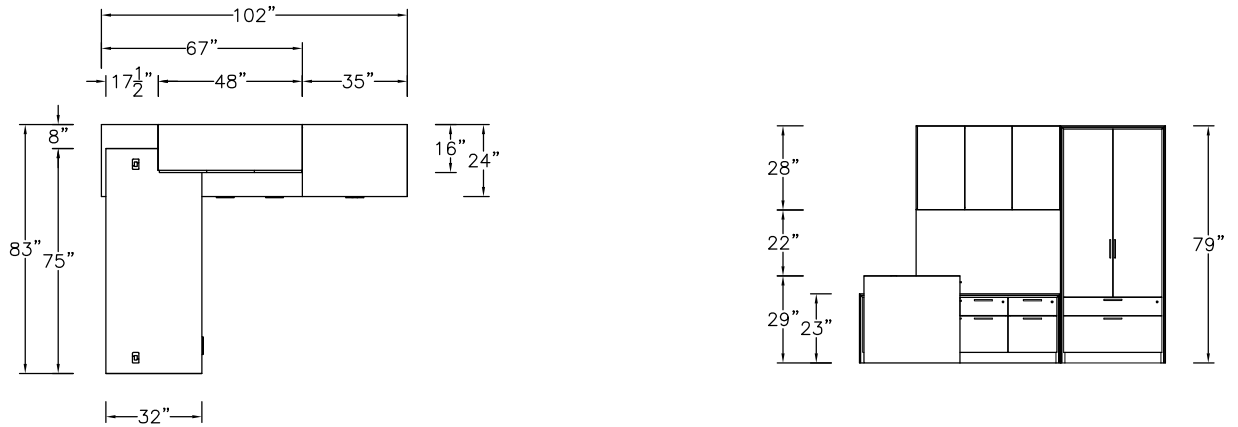




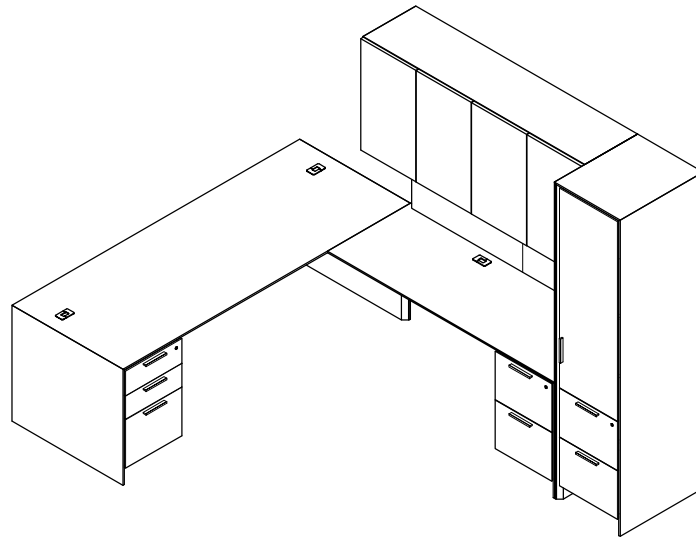
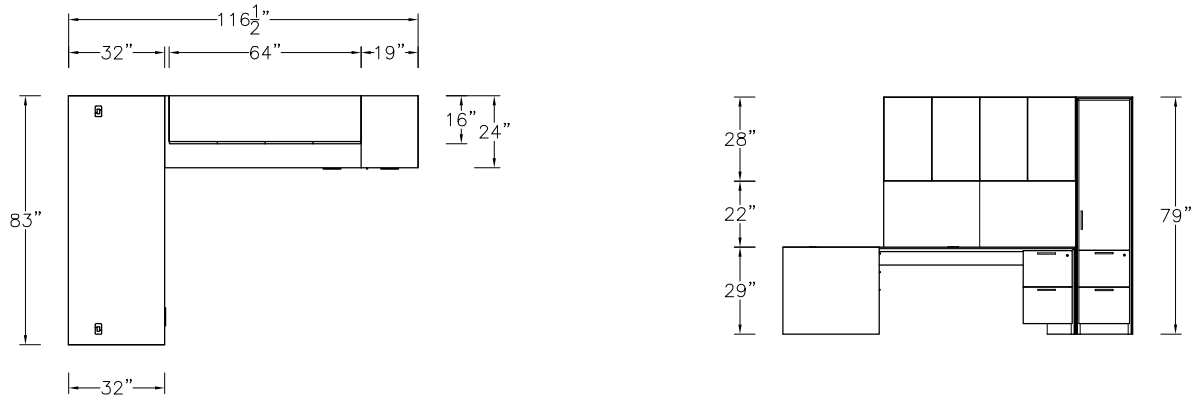
Model	Description	D	W	H	List Price	Weight-lbs
<b>L Workstation</b>						
ADS-3283-AL-MHR	Station Desk without modesty, b/b/f ped left	32"	83"	29"	\$4815	211
AC0-249923-xqt-GFL	Credenza, landing zone, org over lat, b/lat peds	24"	99"	23"	\$6799	398
ASWH21-164828-0-TBF	Wall Hung, hinged doors, 2-bay, 1 adj shelf each, LED lighting & tackboard	16"	48"	28"	\$4156	159
ASHT13-163256	Hinged Door Anchor, 1 bay, 3 adj shelves	16"	32"	56"	\$2895	139

\$18665

907



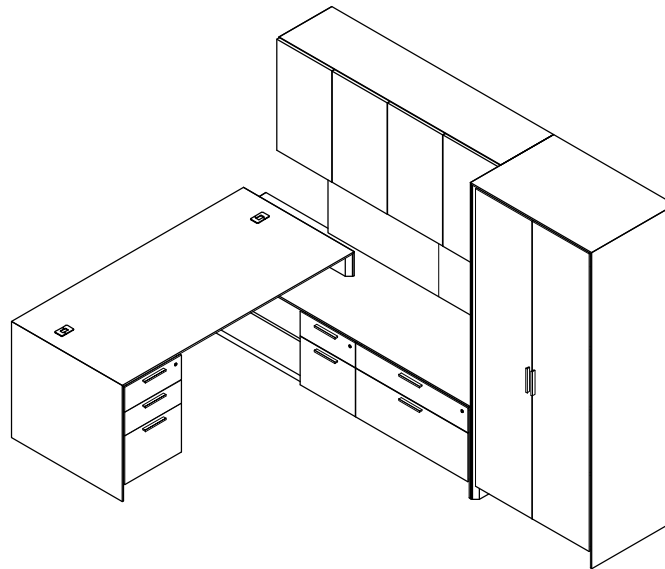
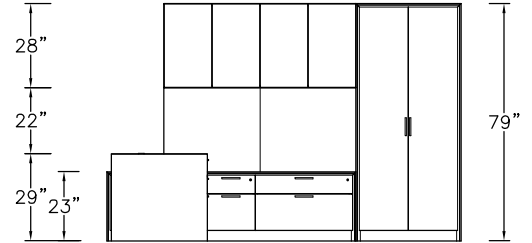
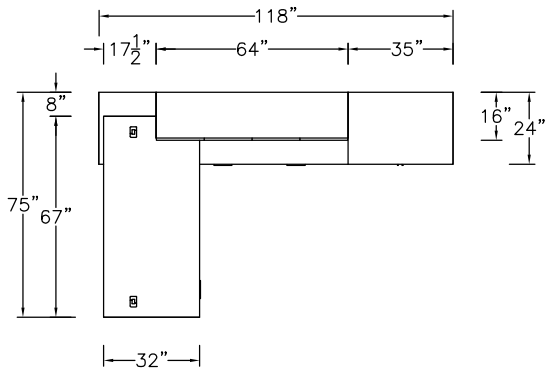
Model	Description	D	W	H	List Price	Weight-lbs
<b>L Workstation</b>						
ADS-3275-AL-MHR	Station Desk without modesty, b/b/f ped left	32"	75"	29"	\$4699	202
AC0-246723-xaa-GFL	Credenza, landing zone, b/f, b/f peds	24"	67"	23"	\$5988	349
ASWH21-164828-0-TBF	Wall Hung, hinged doors, 2-bay, 1 adj shelf each, LED lighting & tackboard	16"	48"	28"	\$4156	159
ASS0132-243579	File Storage Anchor add on unit, 1 bay, 3 adj shelves over b/f	24"	35"	79"	\$6134	353
					<b>\$20977</b>	<b>1063</b>



Model	Description	D	W	H	List Price	Weight-lbs
<b>L Workstation</b>						
AD0-3283-AL	Desk without modesty, b/b/f ped left	32"	83"	29"	\$4686	237
AR0-2466-BR-GBC	Return, f/f ped right	24"	65.5"	29"	\$3328	159
ASWH21-166428-0-TBF	Wall Hung, hinged doors, 2-bay, 1 adj shelf each, LED lighting & tackboard	16"	64"	28"	\$4635	202
ASSD132-241979-R	File Storage Anchor add on unit, 1 bay, 3 adj shelves over f/f right	24"	19"	79"	\$5322	266

**\$17971**

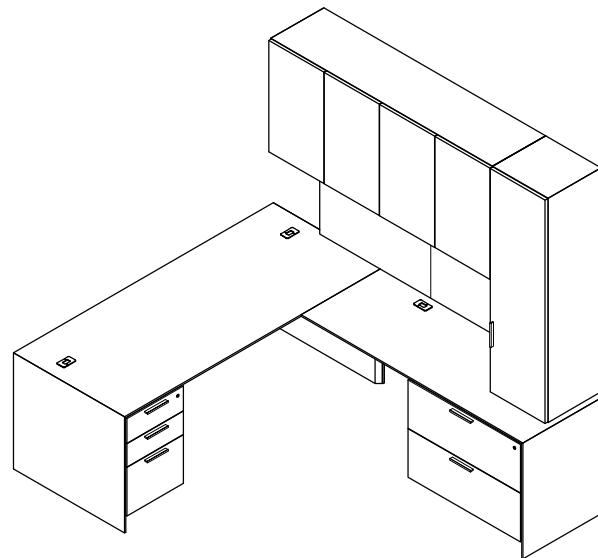
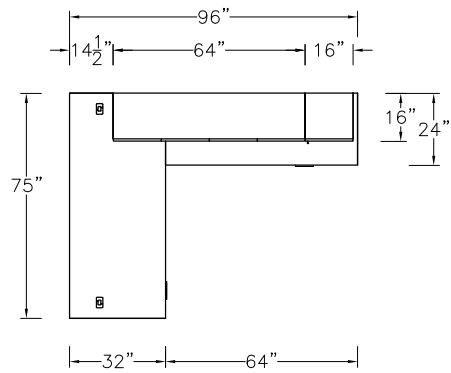
**864**



Model	Description	D	W	H	List Price	Weight-lbs
<b>L Workstation</b>						
ADS-3267-AL-MHR	Station Desk without modesty, b/b/f ped left	32"	67"	29"	\$4581	193
AC0-248323-xat-GFL	Credenza, landing zone, b/f, b/lat peds	24"	83"	23"	\$6474	389
ASWH21-166428-0-TBF	Wall Hung, hinged doors, 2-bay, 1 adj shelf each bay, LED lighting & tackboard	16"	64"	28"	\$4635	202
ASH014-243579	Hinged Door Anchor, 1 bay, 4 adj shelves right	24"	35"	79"	\$5079	323

**\$20769**

**1107**



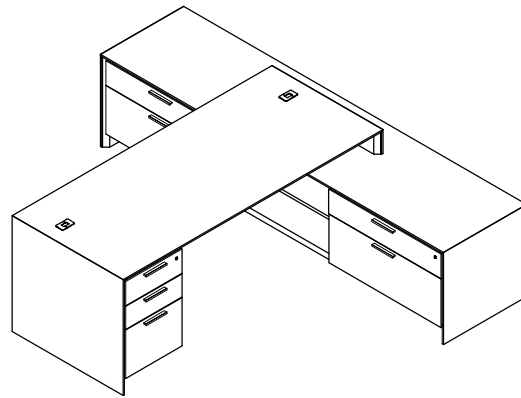
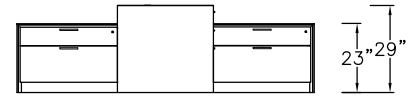
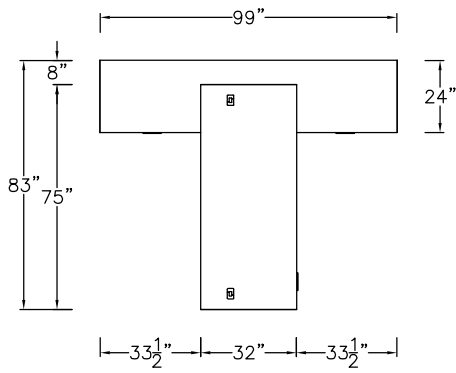
Model	Description	D	W	H	List Price	Weight-lbs
<b>L Workstation</b>						
ADS-3275-AL	Station Desk without modesty, b/b/f ped left	32"	75"	29"	\$4349	202
AR0-2466-ER-GBA	Return, lat ped right	24"	65.5"	29"	\$3505	179
ASWH21-166428-0-TBF	Wall Hung, hinged doors, 2-bay, 1 adj shelf each, LED lighting & tackboard	16"	64"	28"	\$4635	202
ASHT13-161656-R	Hinged Door Anchor, 1 bay, 3 adj shelves right	16"	16"	56"	\$2332	88

\$14821

671

**Aero T Stations**

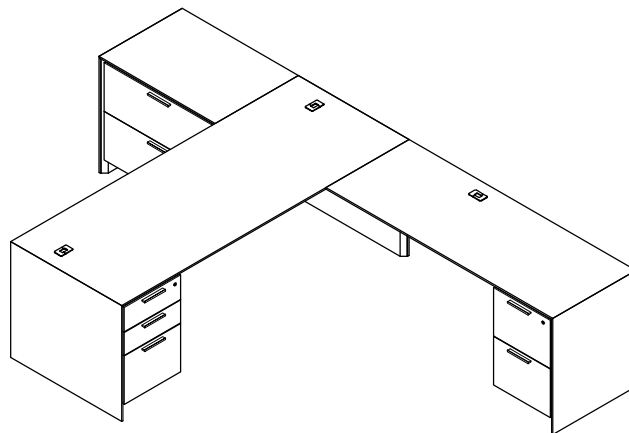
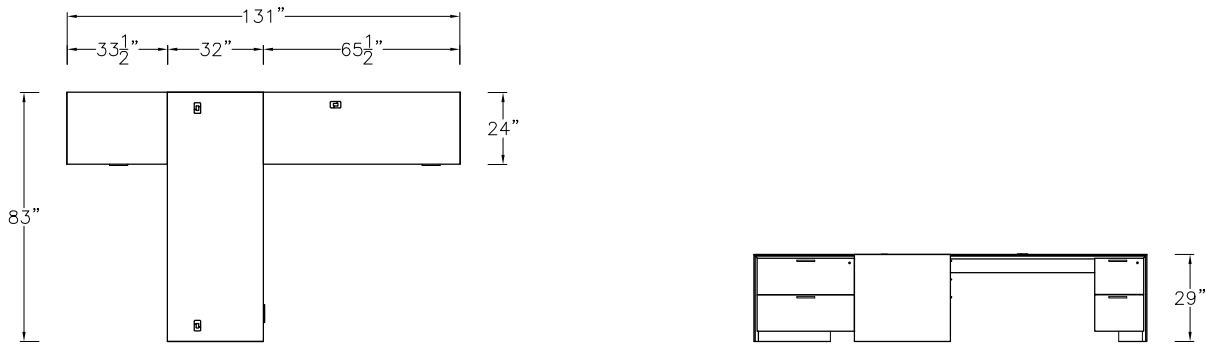




Model	Description	D	W	H	List Price	Weight-lbs
T Workstation						
ADS-3275-AL-MHR	Station Desk without modesty, b/b/f ped left	32"	75"	29"	\$4699	202
AC0-249923-txt-GFA	Credenza, b/lat, landing zone, b/lat ped	24"	99"	23"	\$7001	428

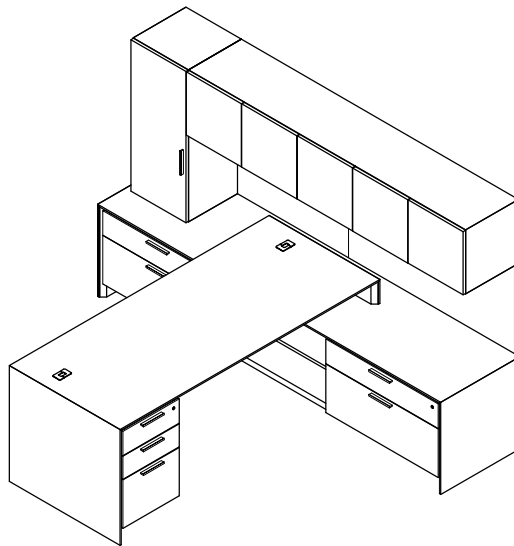
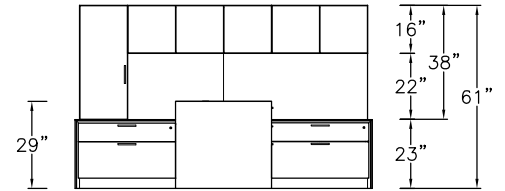
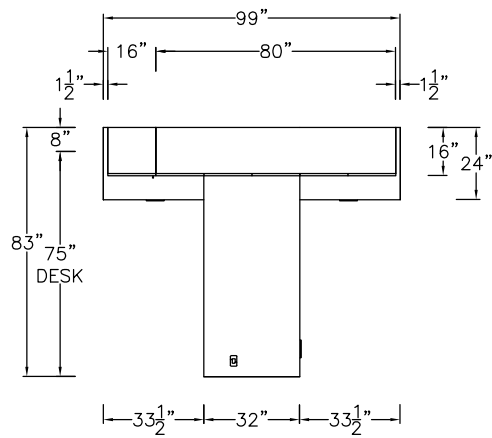
\$11700

630



Model	Description	D	W	H	List Price	Weight-lbs
T Workstation						
AD0-3283-AL	Desk without modesty, b/b/f ped left	32"	83"	29"	\$4686	237
AR0-2434-EL	Return, lat ped left	24"	3.5"	29"	\$3046	153
AR0-2466-BR-GBC	Return, f/f ped right	24"	65.5"	29"	\$3328	159

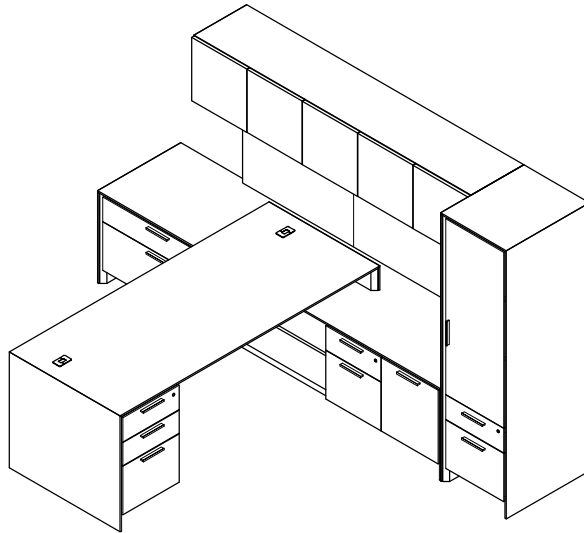
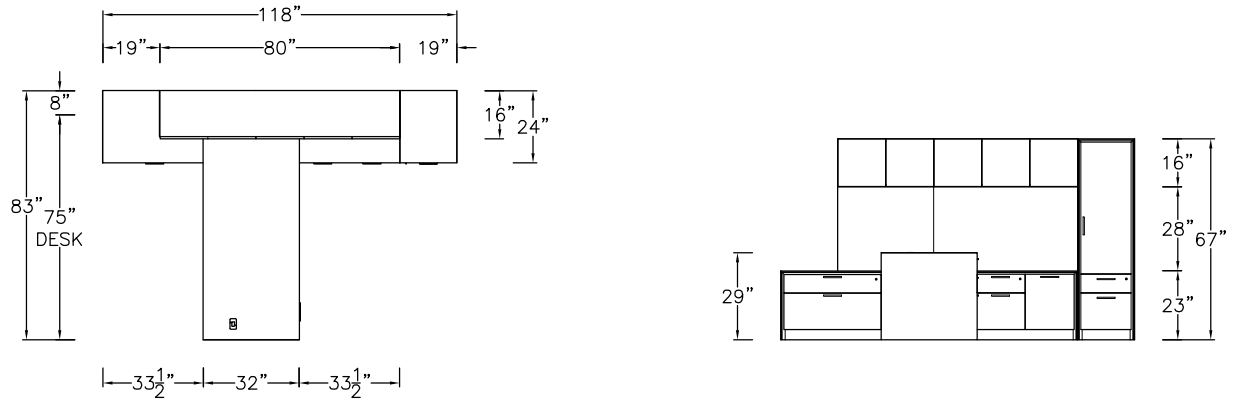




Model	Description	D	W	H	List Price	Weight-lbs
T Workstation						
ADS-3275-AL-MHR	Station Desk without modesty, b/b/f ped left	32"	75"	29"	\$4699	202
AC0-249923-txt-GFA	Credenza, b/lat, landing zone, b/lat peds	24"	99"	23"	\$7001	428
ASHT12-161638-L	Hinged Door Cabinet, 1-bay, 2 adj shelves left	16"	16"	38"	\$1721	65
ASWH3-168016-0-TBF	Wall Hung, hinged doors, 3 bay, LED lighting & tackboard	16"	80"	16"	\$5120	172

\$18541

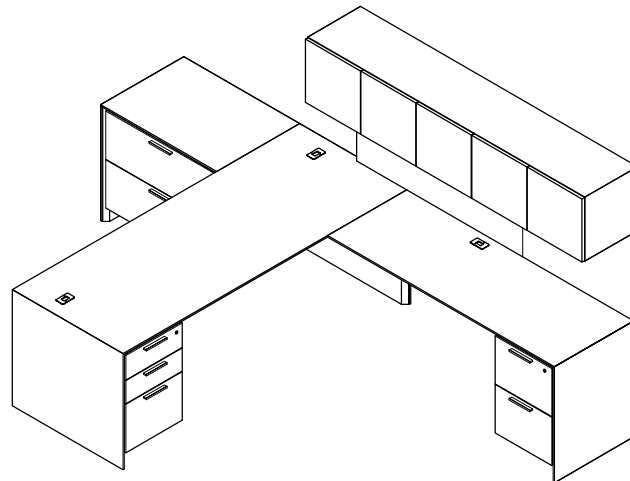
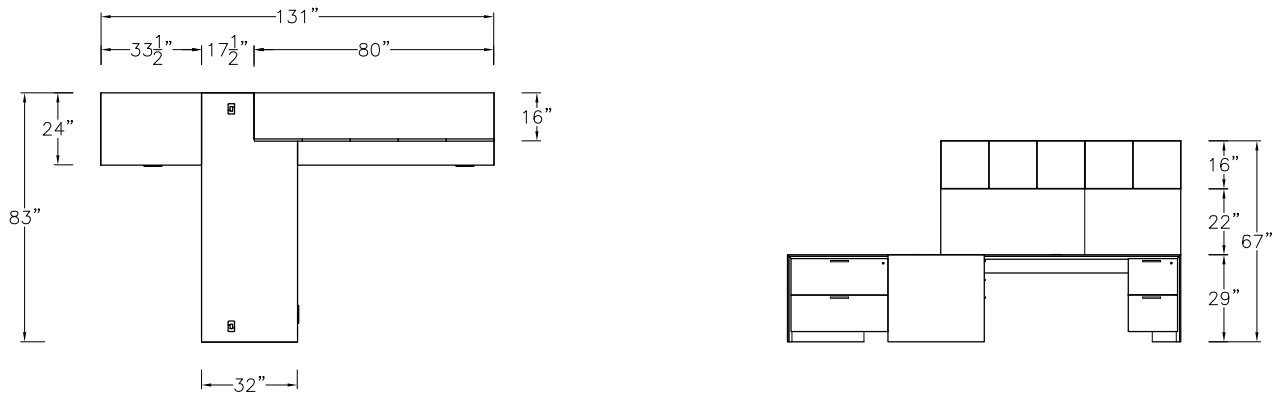
867



Model	Description	D	W	H	List Price	Weight-lbs
T Workstation						
ADS-3275-AL-MHR	Station Desk without modesty, b/b/f ped left	32"	75"	29"	\$4699	202
AC0-249923-txah-GFA	Credenza, b/lat, landing zone, b/f peds	24"	99"	23"	\$7674	443
ASWH3-168016-0-TBF	Wall Hung, hinged doors, 3-bay, LED lighting & tackboard	16"	80"	16"	\$5120	172
ASS0122-241967-R	File Storage Anchor, 1 bay, 2 adj shelves over b/f right	24"	19"	67"	\$4682	232

**\$22175**

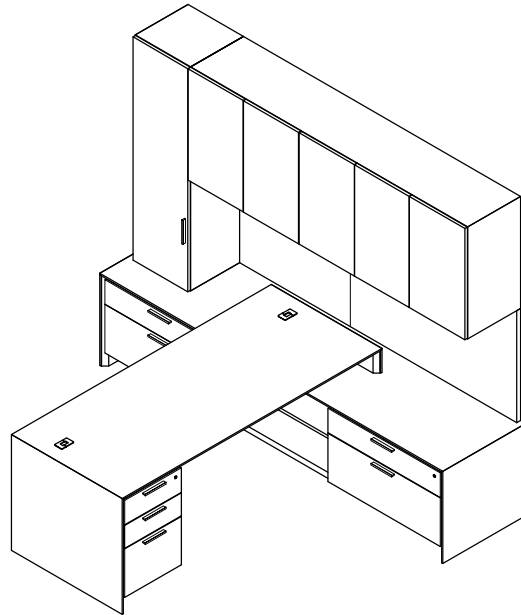
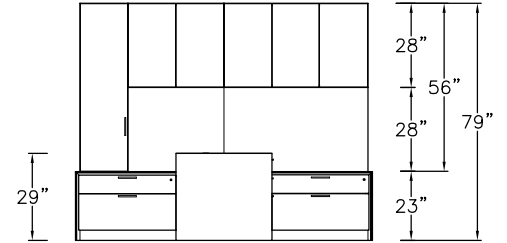
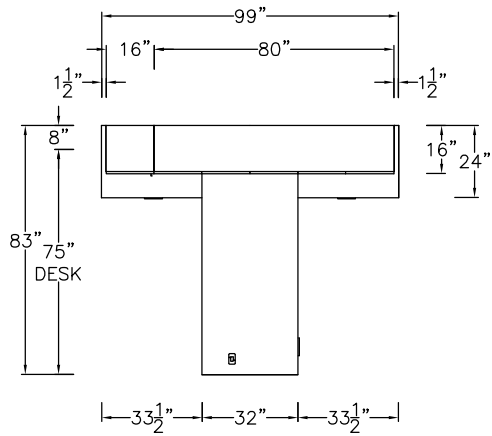
**1049**



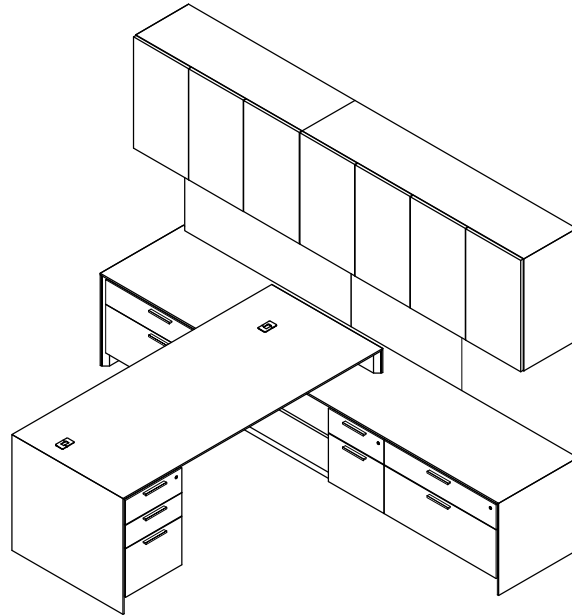
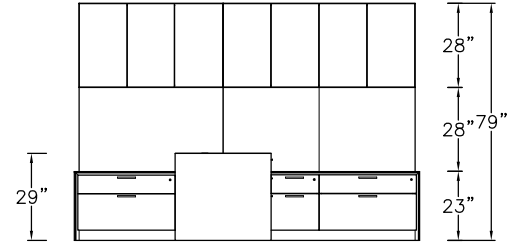
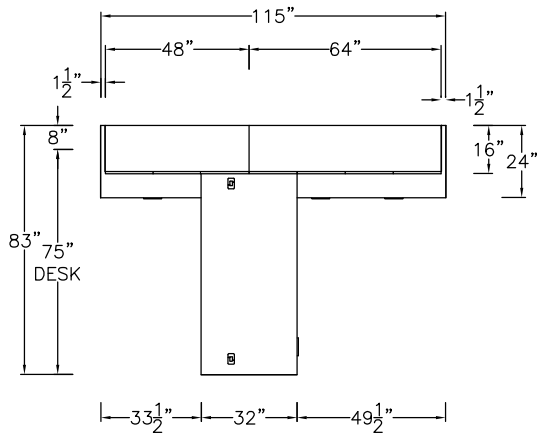
Model	Description	D	W	H	List Price	Weight-lbs
T Workstation						
AD0-3283-AL	Desk without modesty, b/b/f ped left	32"	83"	29"	\$4686	237
AR0-2434-EL	Return, lat ped left	24"	33.5"	29"	\$3046	153
AR0-2466-BR-GBC	Return, f/f ped right	24"	65.5"	29"	\$3328	159
ASWH3-168016-0-TBF	Wall Hung, hinged doors, 3-bay, LED lighting & tackboard	16"	80"	16"	\$5120	172

\$16180

721



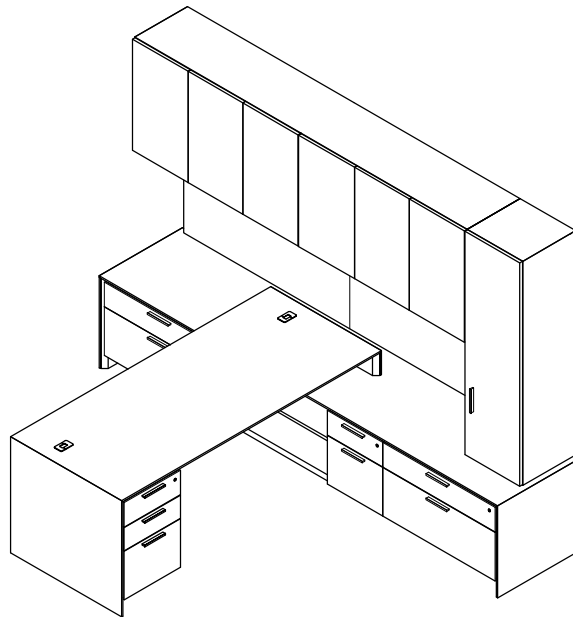
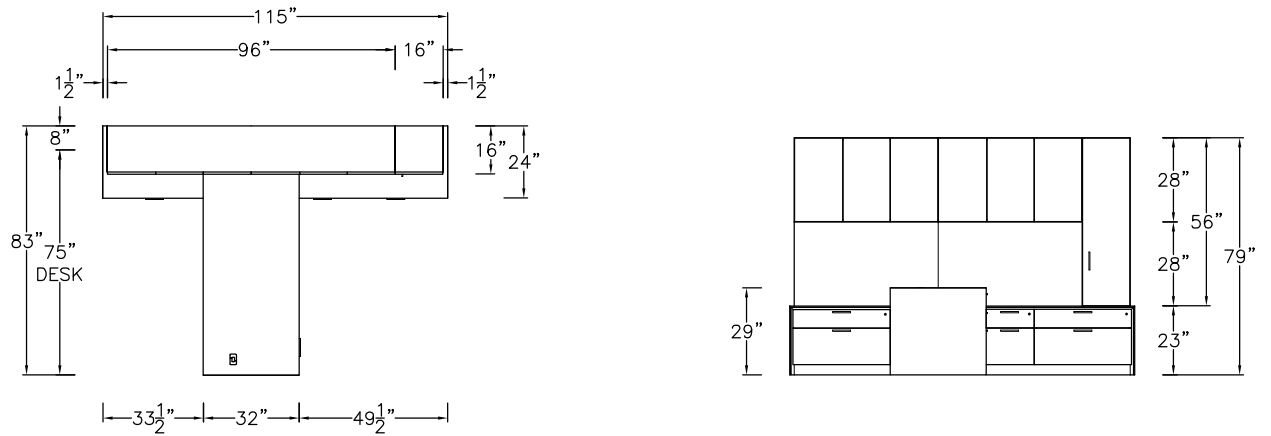
Model	Description	D	W	H	List Price	Weight-lbs
<b>T Workstation</b>						
ADS-3275-AL-MHR	Station Desk without modesty, b/b/f ped left	32"	75"	29"	\$4699	202
AC0-249923-txt-GFA	Credenza, b/lat, landing zone, b/lat peds	24"	99"	23"	\$7001	428
ASHT13-161656-L	Hinged Door Anchor, 1-bay, 3 adj shelves left	16"	16"	56"	\$2332	88
ASWH31-168028-0-TBF	Wall Hung, hinged doors, 3 bay, 1 adj shelf each LED lighting & tackboard	16"	80"	28"	\$5973	255
					<b>\$20005</b>	<b>973</b>



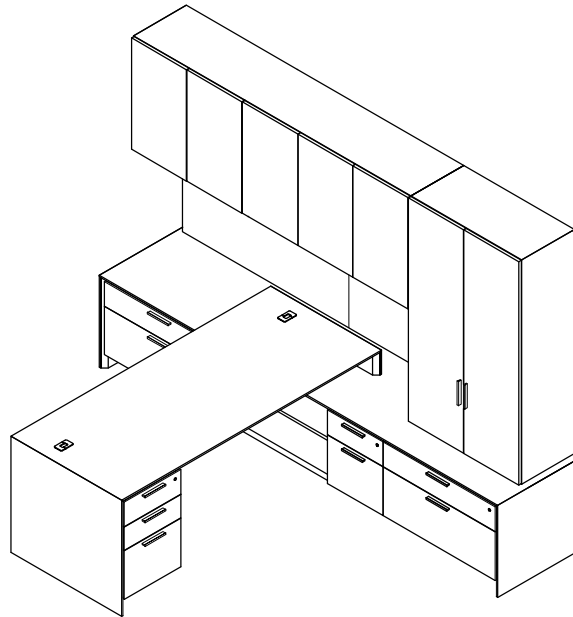
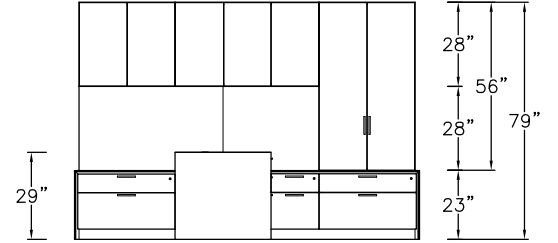
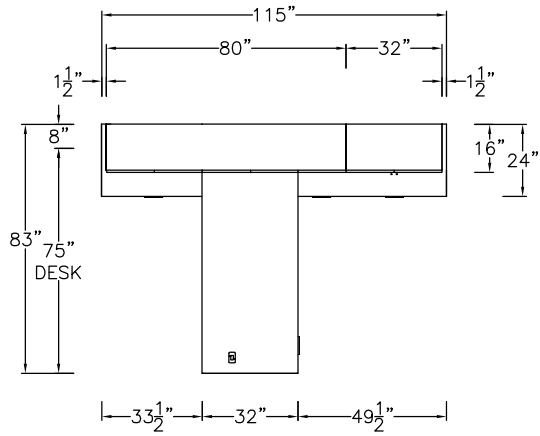
Model	Description	D	W	H	List Price	Weight-lbs
T Workstation						
ADS-3275-AL-MHR	Station Desk without modesty, b/b/f ped left	32"	75"	29"	\$4699	202
AC0-2411523-txat-GFA	Credenza, b/lat, landing zone, b/f, b/lat peds	24"	115"	23"	\$8513	527
ASWH21-164828-0-TBF	Wall Hung, hinged doors, 2-bay, 1 adj shelf each LED lighting & tackboard	16"	48"	28"	\$4156	159
ASWH21-166428-0-TBF	Wall Hung, hinged doors, 2-bay, 1 adj shelf each LED lighting & tackboard	16"	64"	28"	\$4635	202

\$22003

1090



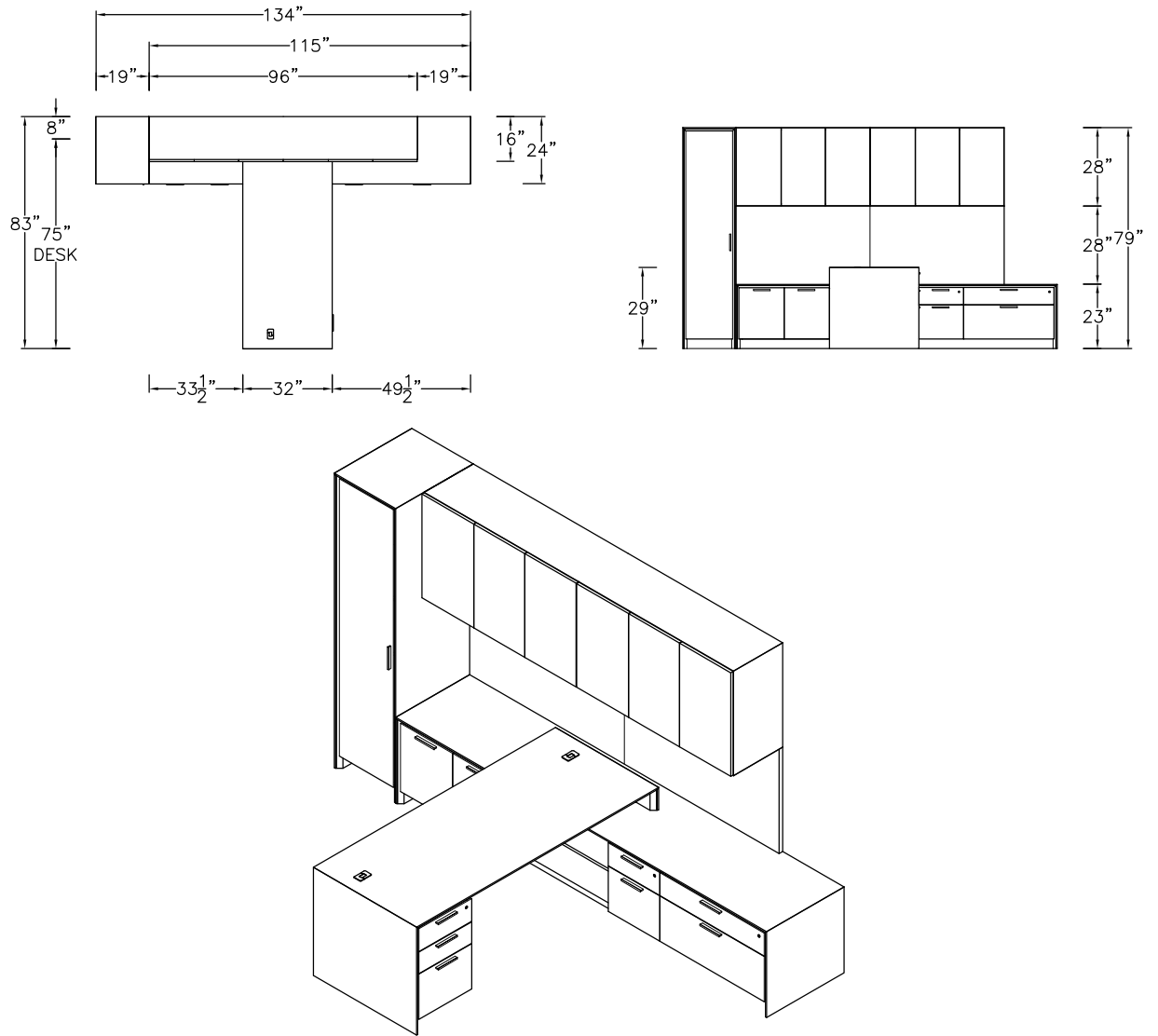
Model	Description	D	W	H	List Price	Weight-lbs
T Workstation						
ADS-3275-AL-MHR	Station Desk without modesty, b/b/f ped left	32"	75"	29"	\$4699	202
AC0-2411523-txat-GFA	Credenza, b/lat, landing zone, b/f, b/lat peds	24"	115"	23"	\$8513	527
ASWH31-169628-0-TBF	Wall Hung, hinged doors, 3-bay, 1 adj shelf each, LED lighting & tackboard	16"	96"	28"	\$6620	299
ASHT13-161656-R	Hinged Door Anchor, 1-bay, 3 adj shelves right	16"	16"	56"	\$2332	88
					<b>\$22164</b>	<b>1116</b>



Model	Description	D	W	H	List Price	Weight-lbs
T Workstation						
ADS-3275-AL-MHR	Station Desk without modesty, b/b/f ped left	32"	75"	29"	\$4699	202
AC0-2411523-txat-GFA	Credenza, b/lat, landing zone, b/f, b/lat peds	24"	115"	23"	\$8513	527
ASWH31-168028-0-TBF	Wall Hung, hinged doors, 3-bay, 1 adj shelf each, LED lighting & tackboard	16"	80"	28"	\$5973	255
ASHT13-163256	Hinged Door Anchor, 1-bay, 3 adj shelves	16"	32"	56"	\$2895	139

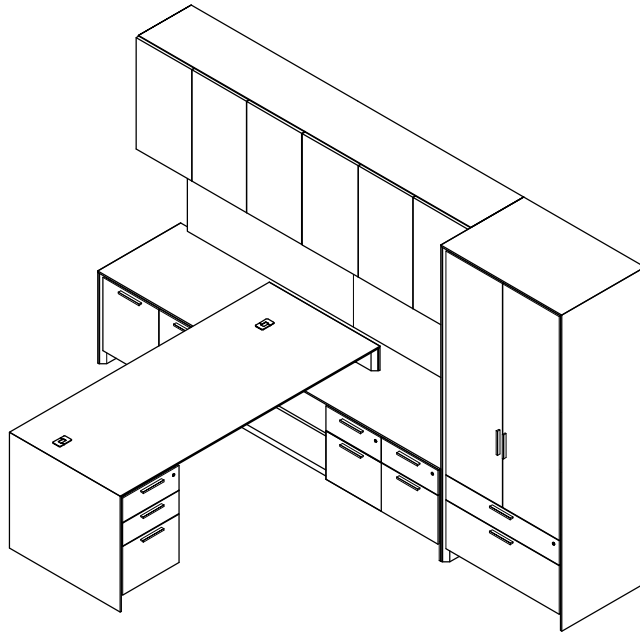
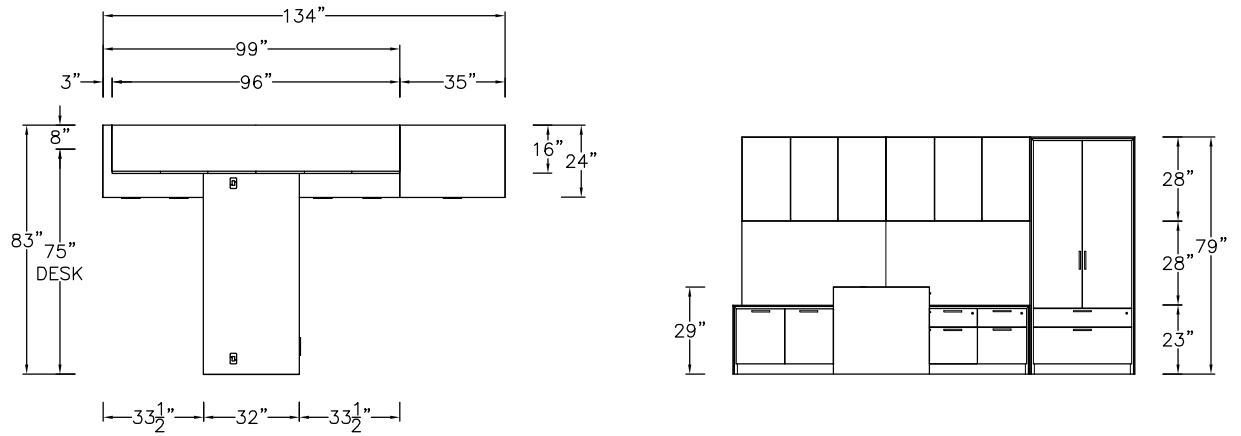
\$22080

1123



Model	Description	D	W	H	List Price	Weight-lbs
<b>T Workstation</b>						
ADS-3275-AL-MHR	Station Desk without modesty, b/b/f ped left	32"	75"	29"	\$4699	202
AC0-2411523-hhxat-GFA	Credenza, 2 hinged door, landing zone, b/f, b/lat peds	24"	115"	23"	\$8489	487
ASH014-241979-L	Hinged Door Anchor, 1-bay, 4 adj shelves left	24"	19"	79"	\$4232	236
ASWH31-169628-0-TBF	Wall Hung, hinged doors, 3-bay, 1 adj shelf each, LED lighting & tackboard	16"	96"	28"	\$6620	299
					<b>\$24040</b>	<b>1224</b>

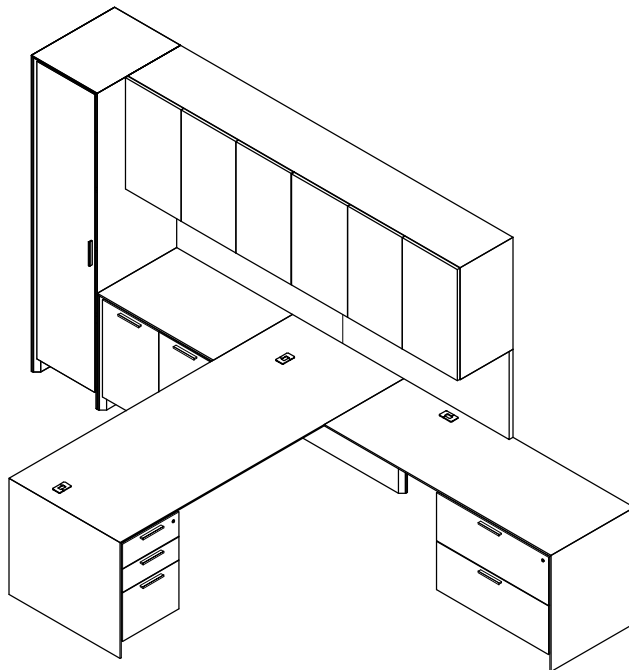
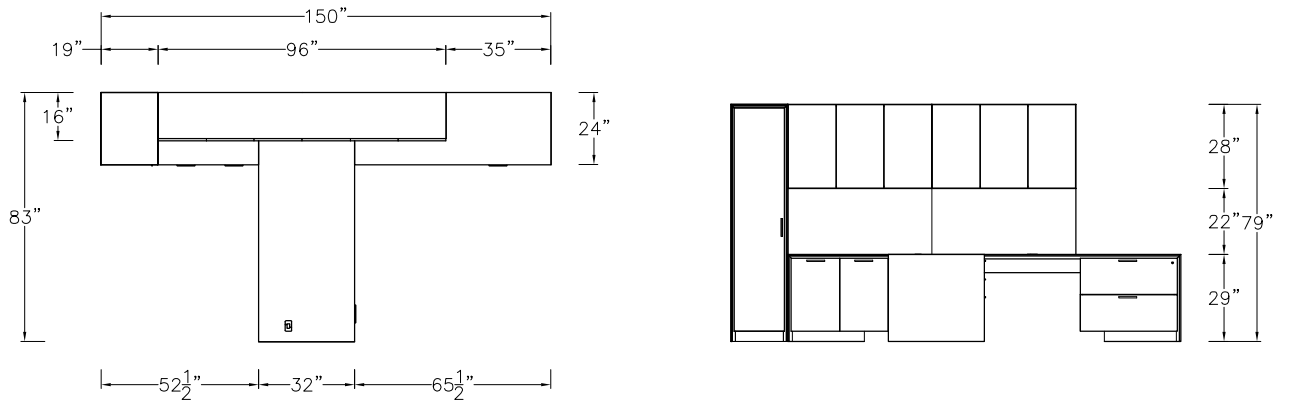




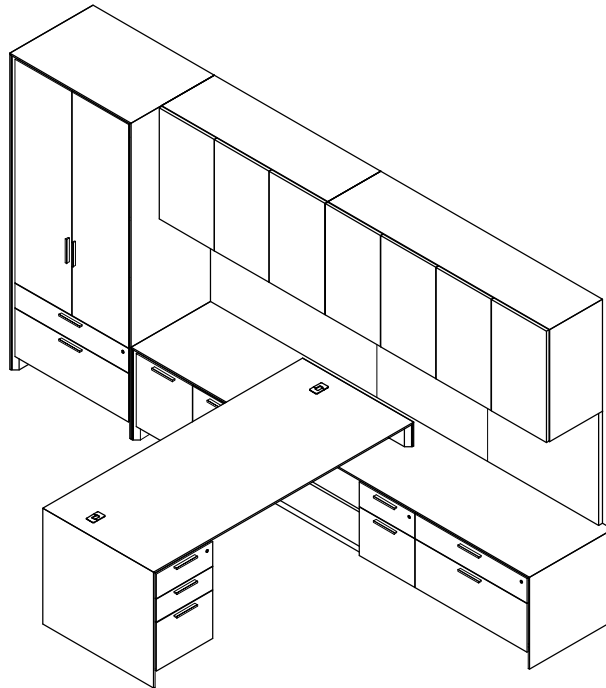
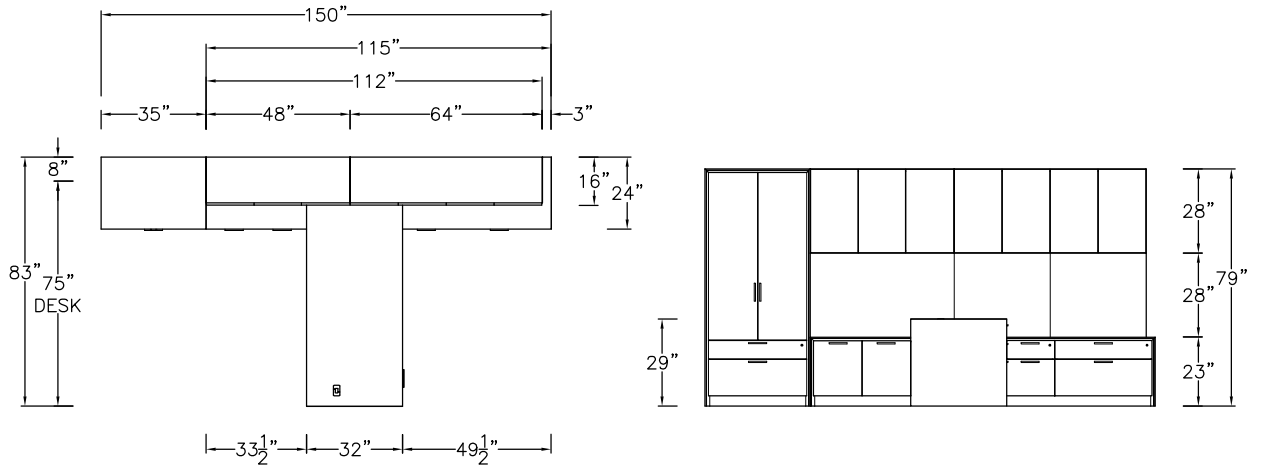
Model	Description	D	W	H	List Price	Weight-lbs
<b>T Workstation</b>						
ADS-3275-AL-MHR	Station Desk without modesty, b/b/f ped left	32"	75"	29"	\$4699	202
AC0-249923-hhxaa-GFA	Credenza, 2 hinged door, landing zone, b/f, b/f peds	24"	99"	23"	\$7997	448
ASWH31-169628-0-TBF	Wall Hung, hinged doors, 3-bay, 1 adj shelf each, LED lighting & tackboard	16"	96"	28"	\$6620	299
ASS0132-243579	Storage Anchor, 1-bay, 3 adj shelves over b/f	24"	35"	79"	\$6134	353

\$25450

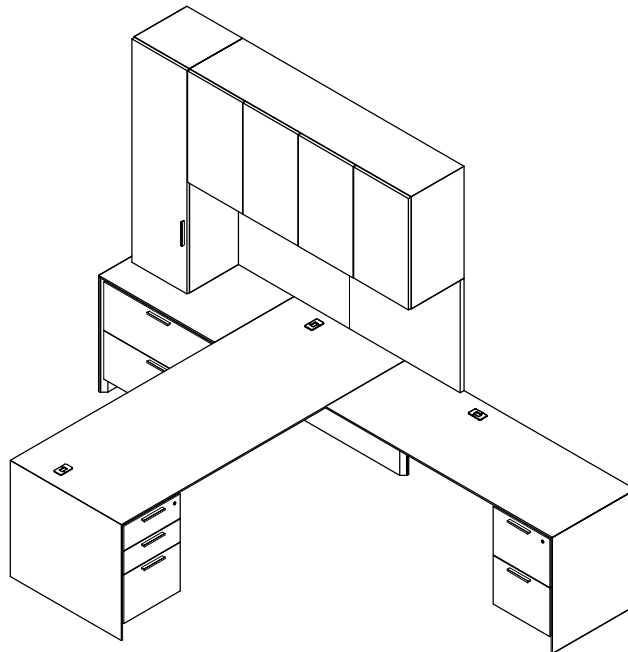
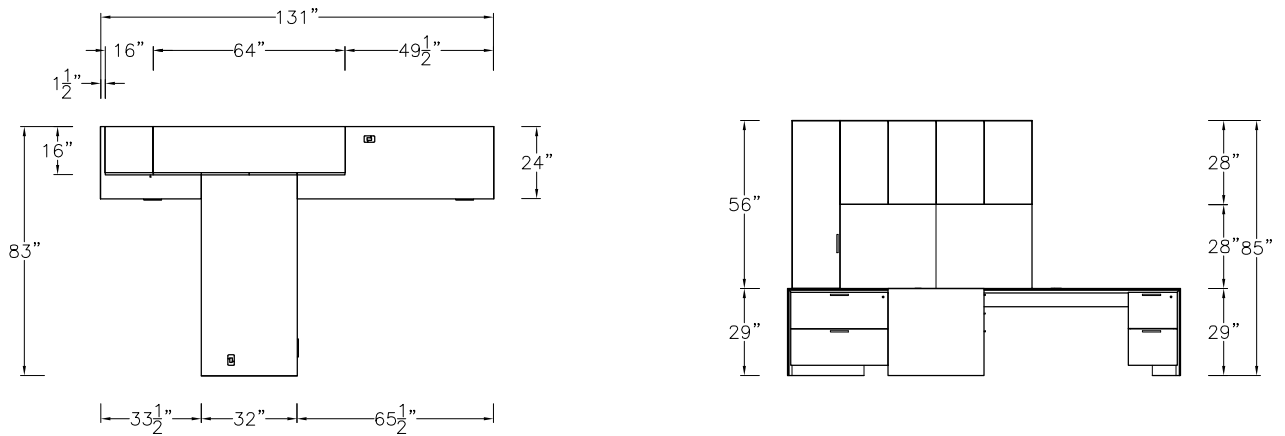
1302



Model	Description	D	W	H	List Price	Weight-lbs
<b>T Workstation</b>						
AD0-3283-AL	Station Desk without modesty, b/b/f ped left	32"	83"	29"	\$4686	237
AR0-2434-HHL	Return, 2 hinged doors, 1 bay, 1 adj shelf ped left	24"	33.5"	29"	\$2894	113
AR0-2466-ER-GBA	Return, lat ped right	24"	65.5"	29"	\$3505	179
ASH014-241979-L	Hinged Door Anchor, 1-bay, 4 adj shelves left	24"	19"	79"	\$4232	236
ASWH31-169628-0-TBF	Wall Hung, hinged doors, 3-bay, 1 adj shelf each, LED lighting & tackboard	16"	96"	28"	\$6620	299
					<b>\$21937</b>	<b>1064</b>



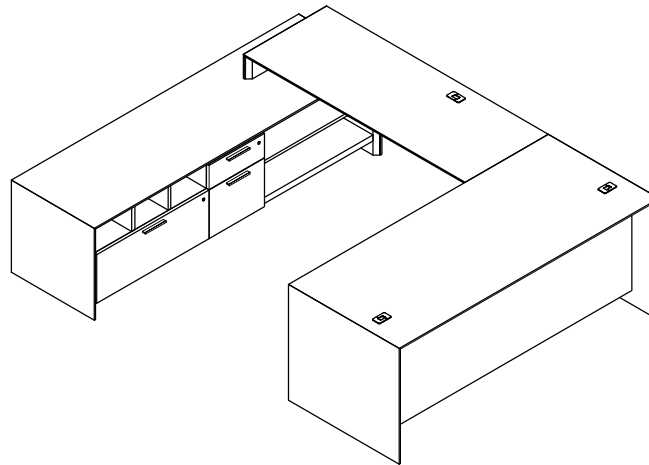
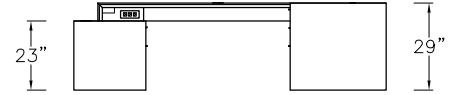
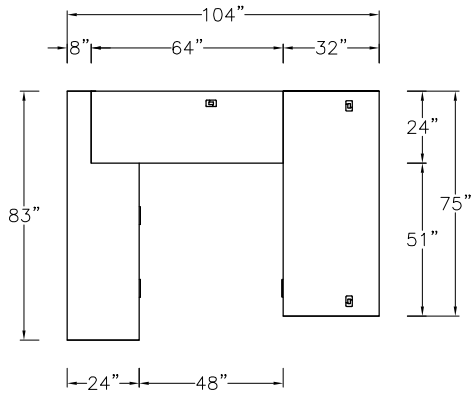
Model	Description	D	W	H	List Price	Weight-lbs
<b>T Workstation</b>						
ADS-3275-AL-MHR	Station Desk without modesty, b/b/f ped left	32"	75"	29"	\$4699	202
AC0-2411523-hhxat-GFA	Credenza, 2 hinged door, landing zone, b/f, b/lat peds	24"	115"	23"	\$8489	487
ASS0132-243579	File Storage Anchor, 1-bay, 3 adj shelves over b/f	24"	35"	79"	\$6134	353
ASWH21-164828-0-TBF	Wall Hung, hinged doors, 2-bay, 1 adj shelf each, LED lighting & tackboard	16"	48"	28"	\$4156	159
ASWH21-166428-0-TBF	Wall Hung, hinged doors, 2-bay, 1 adj shelf each, LED lighting & tackboard	16"	64"	28"	\$4635	202
					<b>\$28113</b>	<b>1403</b>



Model	Description	D	W	H	List Price	Weight-lbs
<b>T Workstation</b>						
AD0-3283-AL	Desk without modesty, b/b/f ped left	32"	83"	29"	\$4686	237
AR0-2434-EL	Return, lat ped left	24"	33.5"	29"	\$3046	153
AR0-2466-BR-GBA	Return, f/f ped right	24"	65.5"	29"	\$3328	159
ASHT13-161656-L	Hinged Door Anchor, 1-bay, 3 adj shelves left	16"	16"	56"	\$2332	88
ASWH21-166428-0-TBF	Wall Hung, hinged doors, 2-bay, 1 adj shelf each, LED lighting & tackboard	16"	64"	28"	\$4635	202
					<b>\$18027</b>	<b>839</b>

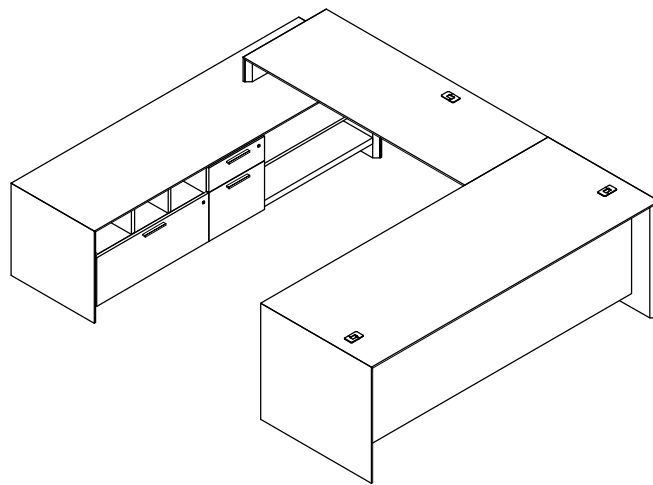
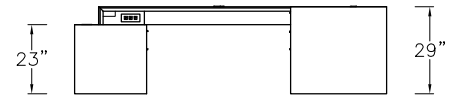
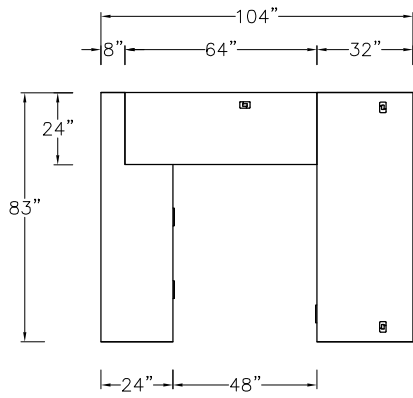
## Aero U Stations





Model	Description	D	W	H	List Price	Weight-lbs
<b>U Workstation</b>						
AD000L-3275-AR	Desk full modesty, b/b/f ped right	32"	75"	29"	\$5194	265
ABS-2464-L-MHL-GBB	Station Bridge, left	24"	64"	29"	\$1896	58
AC0-248323-qax-GFR	Credenza, org over lat, bf, landing zone peds	24"	83"	23"	\$6271	359

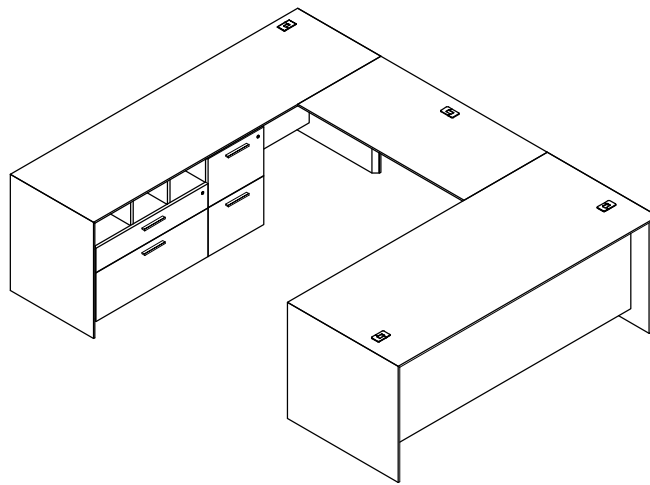
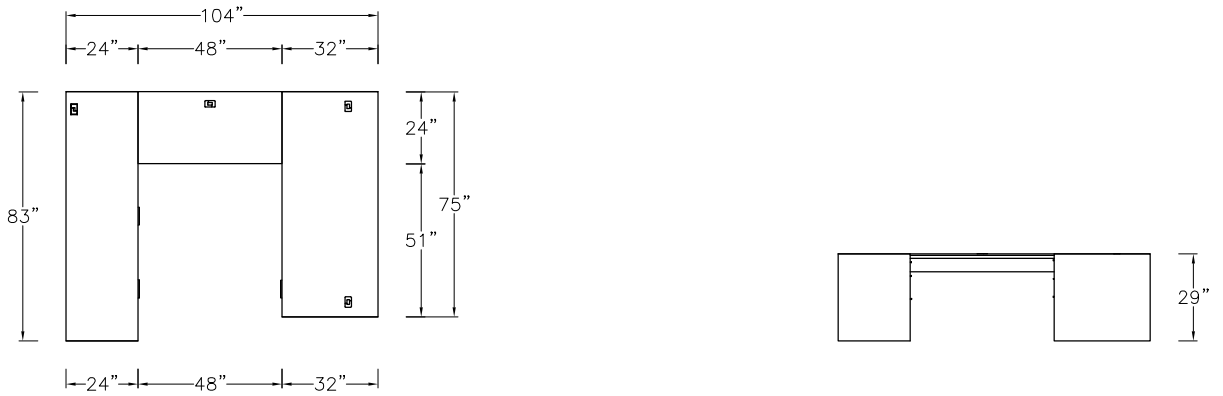
**\$13361**
**682**



Model	Description	D	W	H	List Price	Weight-lbs
U Workstation						
AD000L-3283-AR	Desk full modesty, b/b/f ped right	32"	83"	29"	\$5339	278
ABS-2464-L-MHL-GBB	Station Bridge, left	24"	64"	29"	\$1896	58
AC0-248323-qax-GFR	Credenza, org over lat, bf, landing zone peds	24"	83"	23"	\$6271	359

\$13506

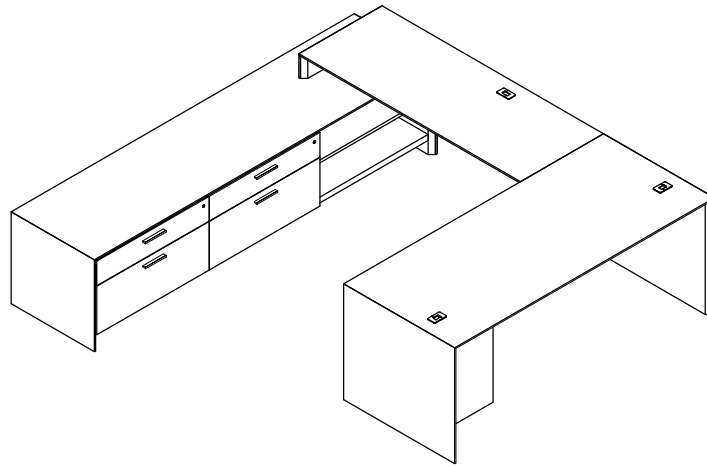
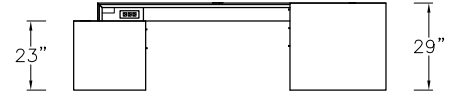
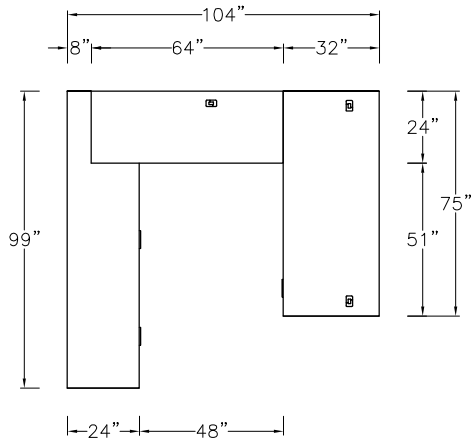
695



Model	Description	D	W	H	List Price	Weight-lbs
<b>U Workstation</b>						
AD000L-3275-AR	Desk full modesty, b/b/f ped right	32"	75"	29"	\$5194	265
AB0-2448-0-GBC	Bridge	24"	48"	29"	\$1125	40
AC0-2483-QB3-GBR	Credenza, org over lat, f/f, removable mod peds	24"	83"	29"	\$6289	325

**\$12608**
**630**

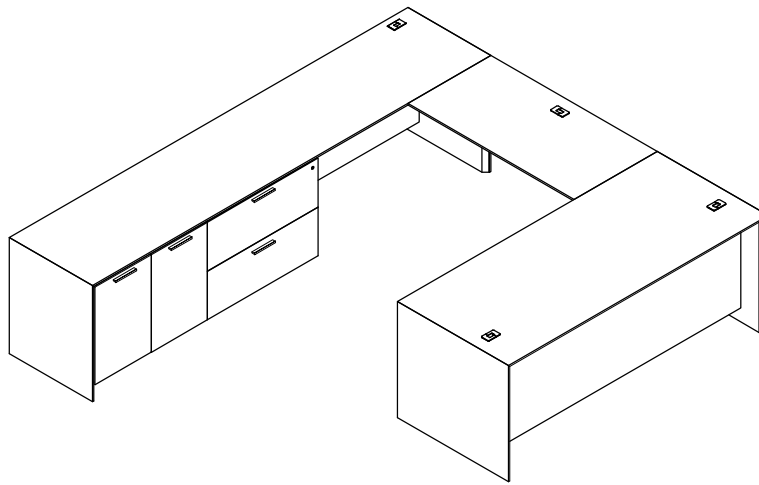
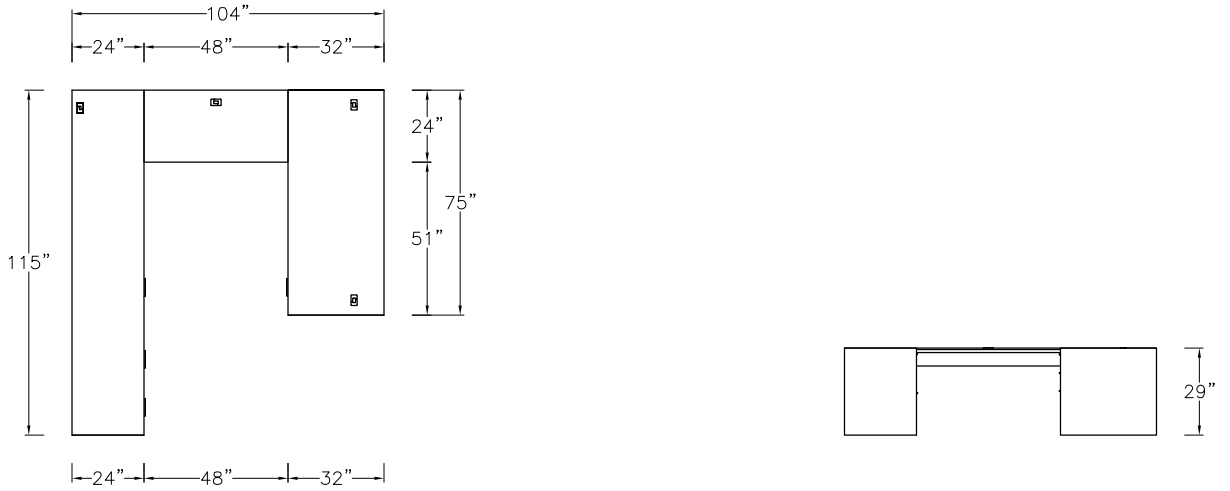




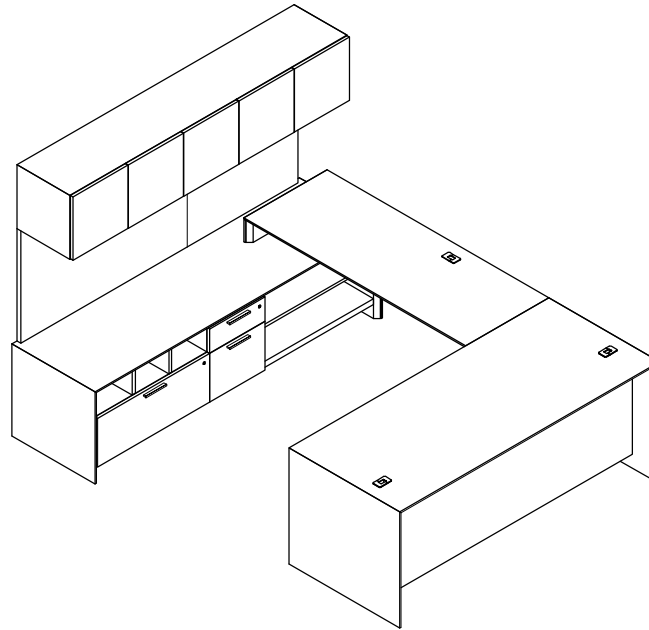
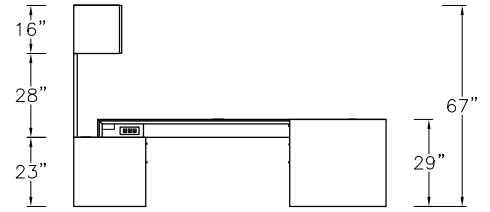
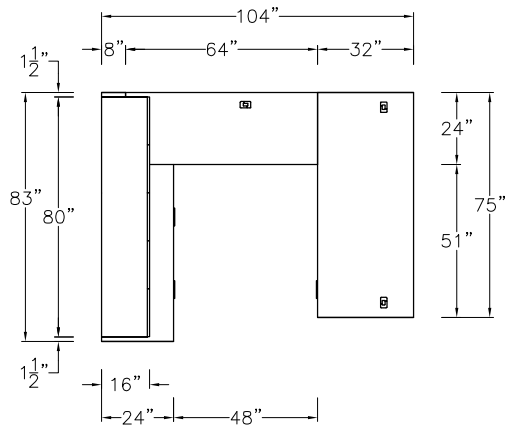
Model	Description	D	W	H	List Price	Weight-lbs
<b>U Workstation</b>						
AD0-3275-AR	Desk full modesty, b/b/f ped right	32"	75"	29"	\$4568	228
ABS-2464-L-MHL-GBB	Station Bridge, left	24"	64"	29"	\$1896	58
AC0-248323-ttx-GFR	Credenza, b/lat, b/lat, landing zone peds	24"	83"	23"	\$6273	409

\$13187

695



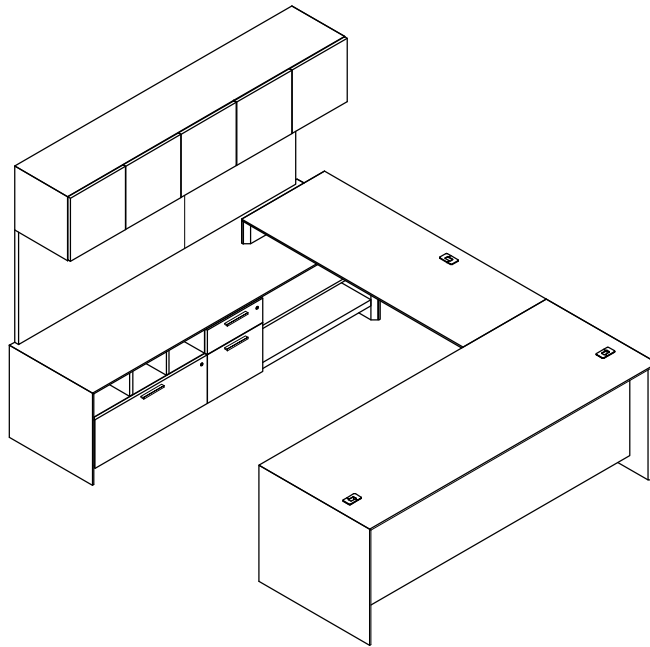
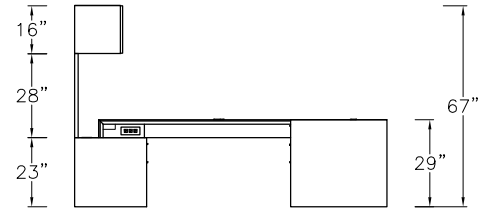
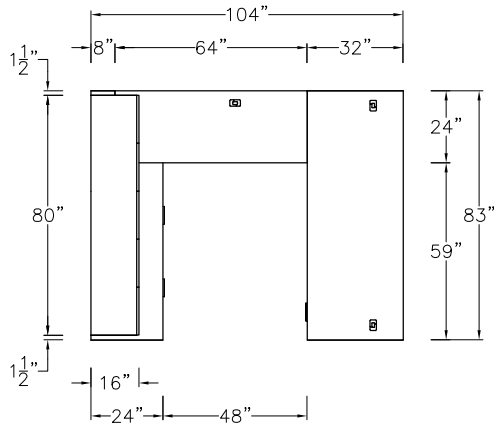
Model	Description	D	W	H	List Price	Weight-lbs
<b>U Workstation</b>						
AD000L-3275-AR	Desk full modesty, b/b/f ped right	32"	75"	29"	\$5194	265
AB0-2448-0-GBC	Bridge	24"	48"	29"	\$1125	40
AC0-24115-HHE4-GBR	Credenza, 2 hinged doors w/1 bay 1 adj shelf, lat, removable mod peds	24"	115"	29"	\$7021	386
					<b>\$13340</b>	<b>691</b>



Model	Description	D	W	H	List Price	Weight-lbs
<b>U Workstation</b>						
AD000L-3275-AR	Desk full modesty, b/b/f ped right	32"	75"	29"	\$5194	265
ABS-2464-L-MHL-GBB	Station Bridge, left	24"	64"	29"	\$1896	58
AC0-248323-qax-GFR	Credenza, org over lat, bf, landing zone peds	24"	83"	23"	\$6271	359
ASWH3-168016-0-TBF	Wall Hung, hinged doors, 3-bay, LED lighting & tackboard	16"	80"	16"	\$5120	172

\$18481

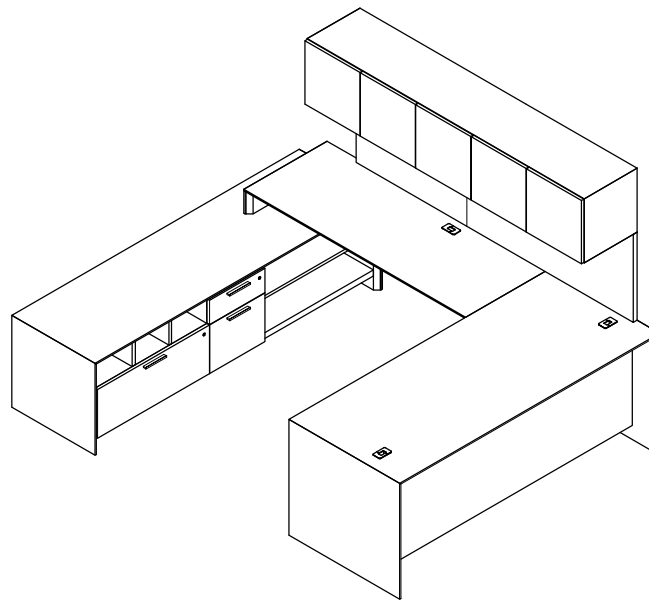
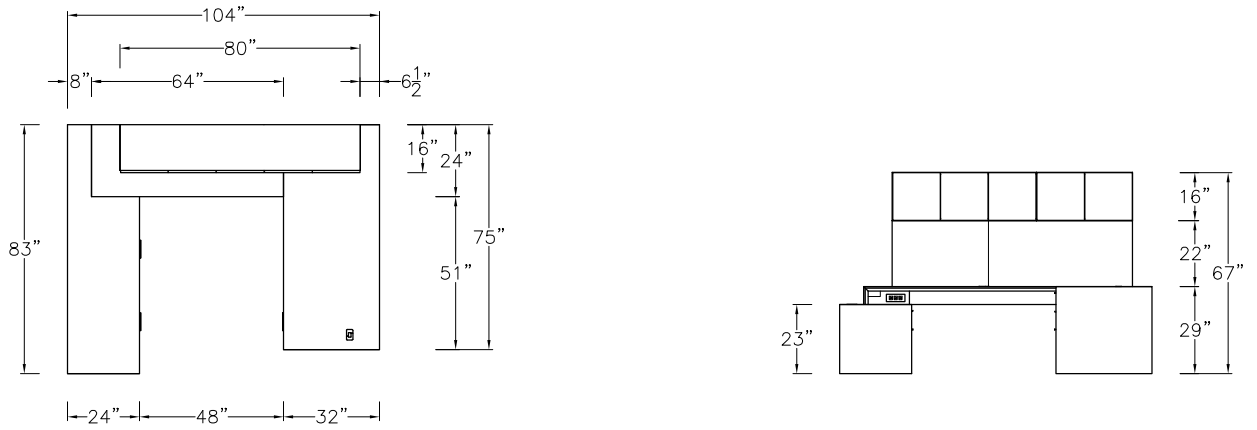
854



Model	Description	D	W	H	List Price	Weight-lbs
<b>U Workstation</b>						
AD000L-3283-AR	Desk full modesty, b/b/f ped right	32"	83"	29"	\$5339	278
ABS-2464-L-MHL-GBB	Station Bridge, left	24"	64"	29"	\$1896	58
AC0-248323-qax-GFR	Credenza, org over lat, bf, landing zone peds	24"	83"	23"	\$6271	359
ASWH3-168016-0-TBF	Wall Hung, hinged doors, 3-bay, LED lighting & tackboard	16"	80"	16"	\$5120	172

**\$18626**

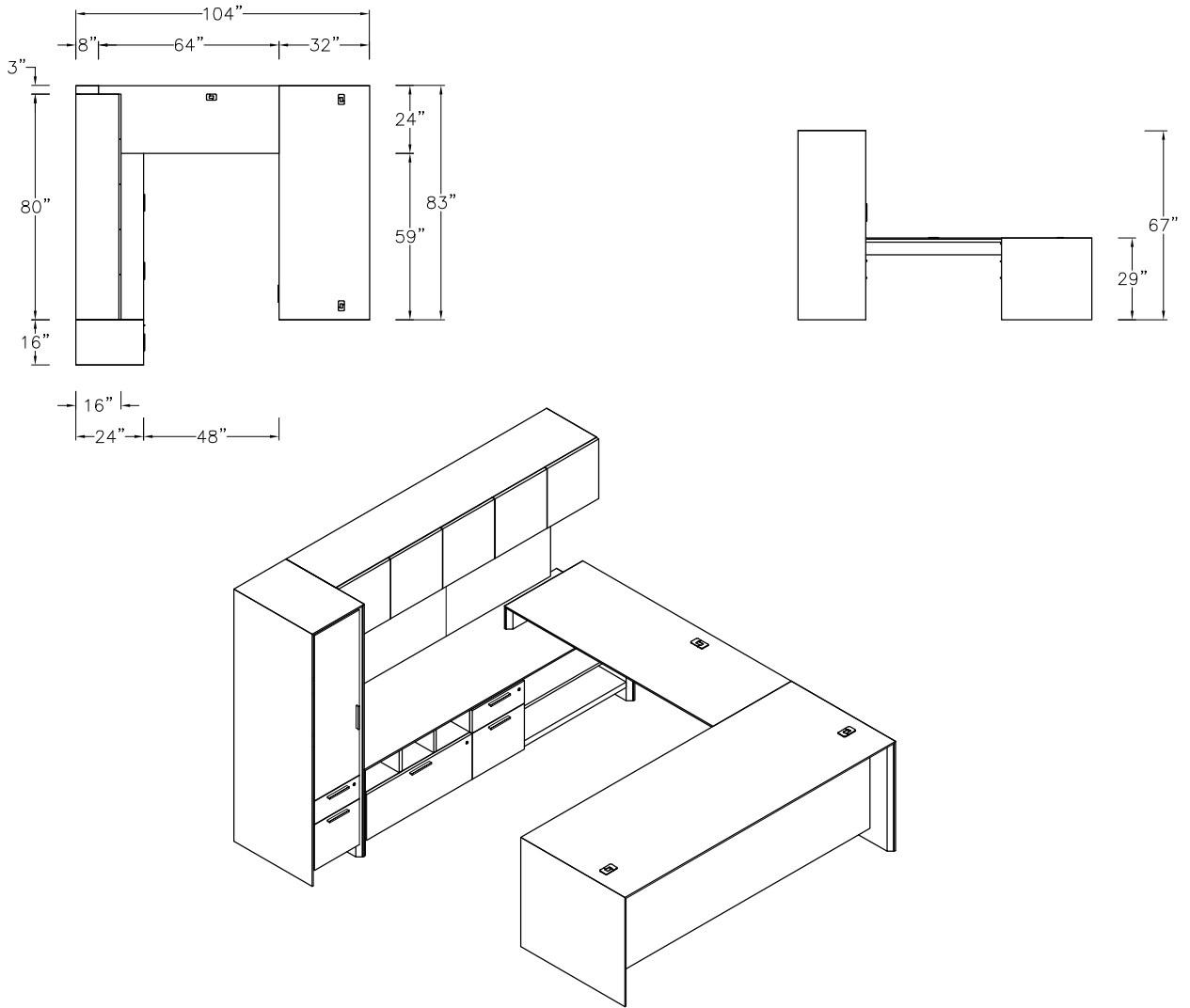
**867**



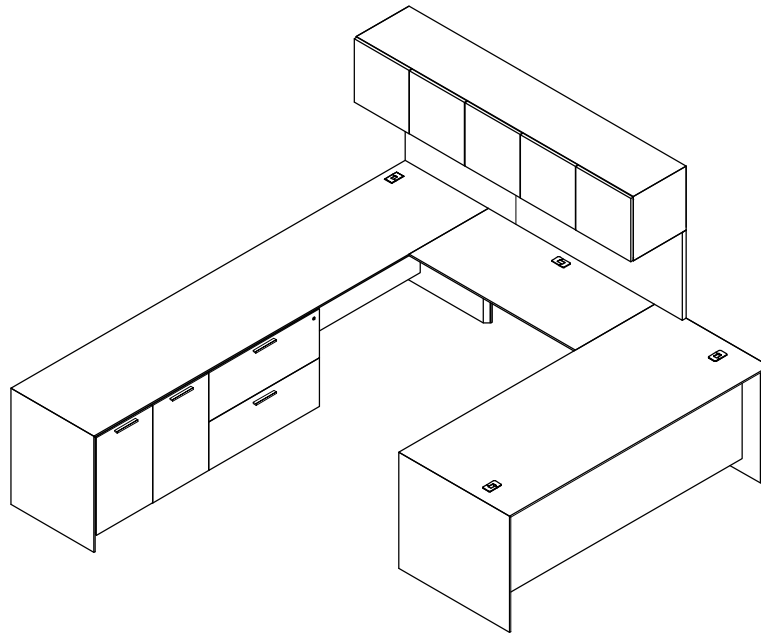
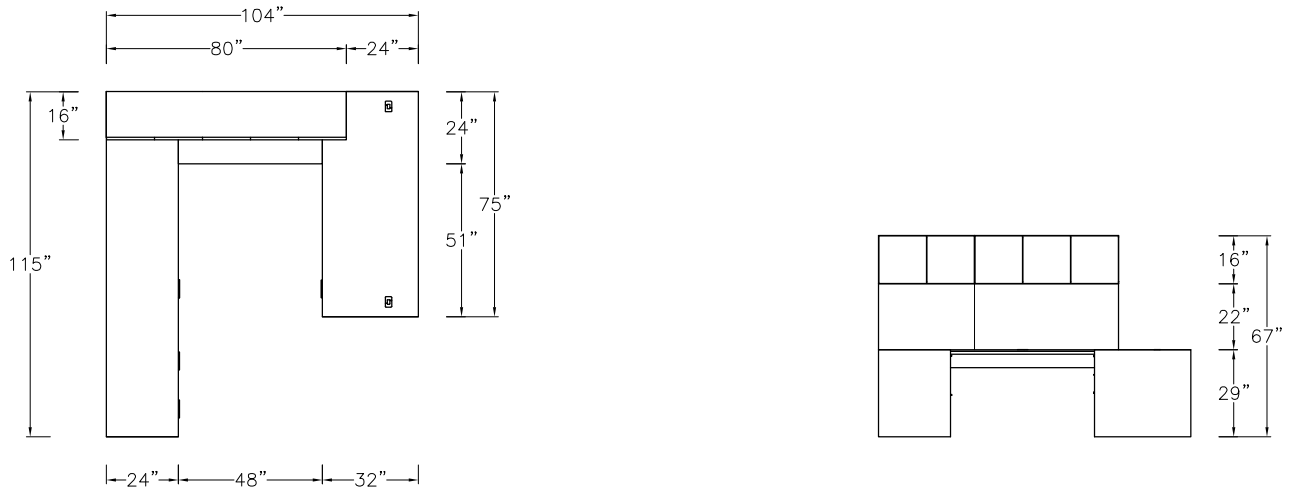
Model	Description	D	W	H	List Price	Weight-lbs
<b>U Workstation</b>						
AD000L-3275-AR	Desk full modesty, b/b/f ped right	32"	75"	29"	\$5194	265
ABS-2464-L-MHL-GBB	Station Bridge, left	24"	64"	29"	\$1896	58
ASWH3-168016-0-TBF	Wall Hung, hinged doors, 3-bay, LED lighting & tackboard	16"	80"	16"	\$5120	172
AC0-248323-qax-GFR	Credenza, org over lat, bf, landing zone peds	24"	83"	23"	\$6271	359

\$18481

854



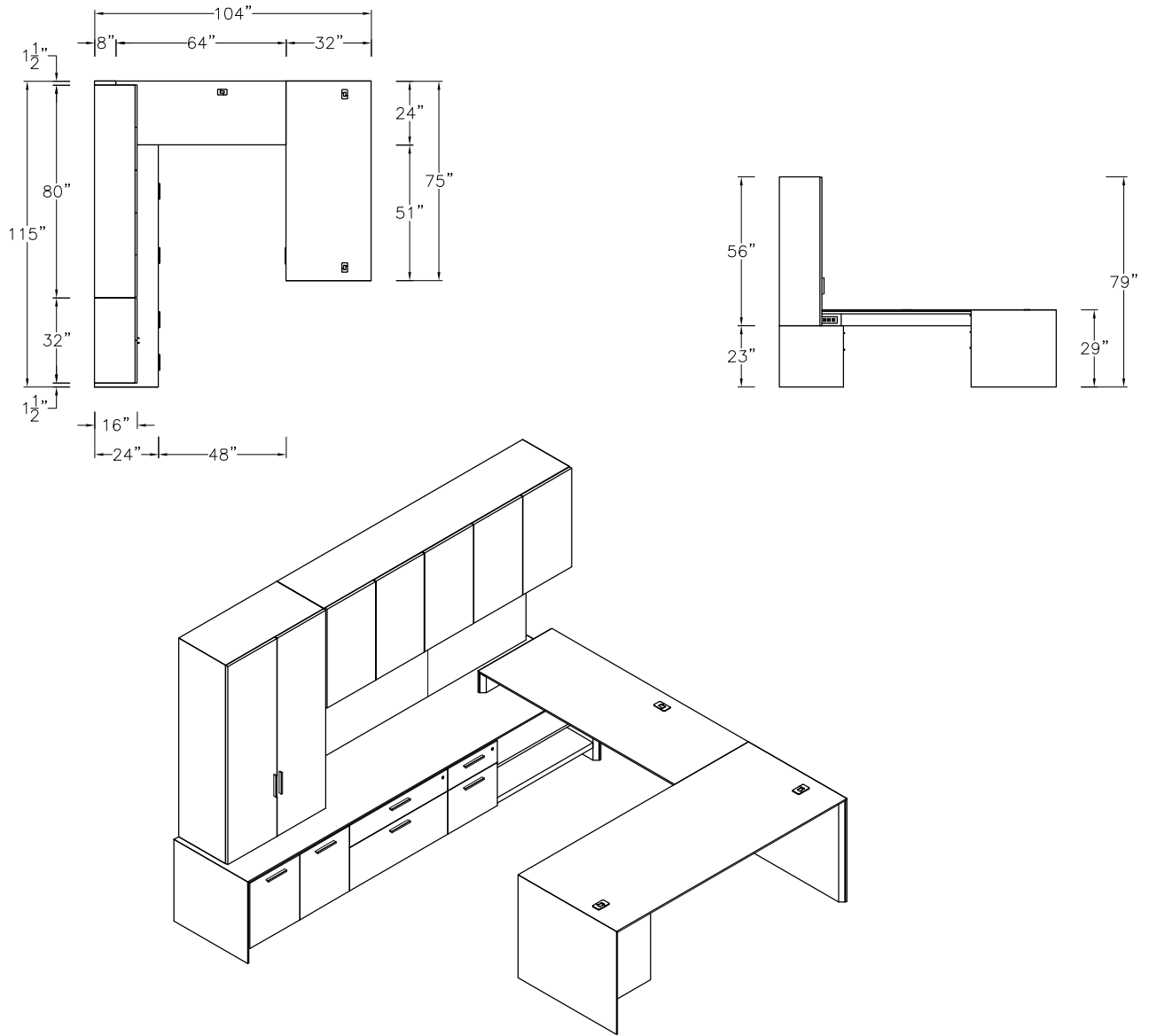
Model	Description	D	W	H	List Price	Weight-lbs
<b>U Workstation</b>						
AD000L-3283-AR	Desk full modesty, b/b/f ped right	32"	83"	29"	\$5339	278
ABS-2464-L-MHL-GBB	Station Bridge, left	24"	64"	29"	\$1896	58
AC0-248323-qax-GFR	Credenza, org over lat, bf, landing zone peds	24"	83"	23"	\$6271	359
ASWH3-168016-0-TBF	Wall Hung, hinged doors, 3-bay, LED lighting & tackboard	16"	80"	16"	\$5120	172
ASS0122-241967-R	File Storage Anchor, 1-bay, 2 aj shelves over b/f right	24"	19"	67"	\$4682	232
					<b>\$23308</b>	<b>1099</b>



Model	Description	D	W	H	List Price	Weight-lbs
<b>U Workstation</b>						
AD000L-3275-AR	Desk full modesty, b/b/f ped right	32"	75"	29"	\$5194	265
AB0-2448-0-GBC	Bridge	24"	48"	29"	\$1125	40
ASWH3-168016-0-TBF	Wall Hung, hinged doors, 3-bay, LED lighting & tackboard	16"	80"	16"	\$5120	172
AC0-24115-HHE4-GBR	Credenza, 2 hinged doors w/1-bay 1 adj shelf, lat, removable mod peds	24"	115"	29"	\$7021	386

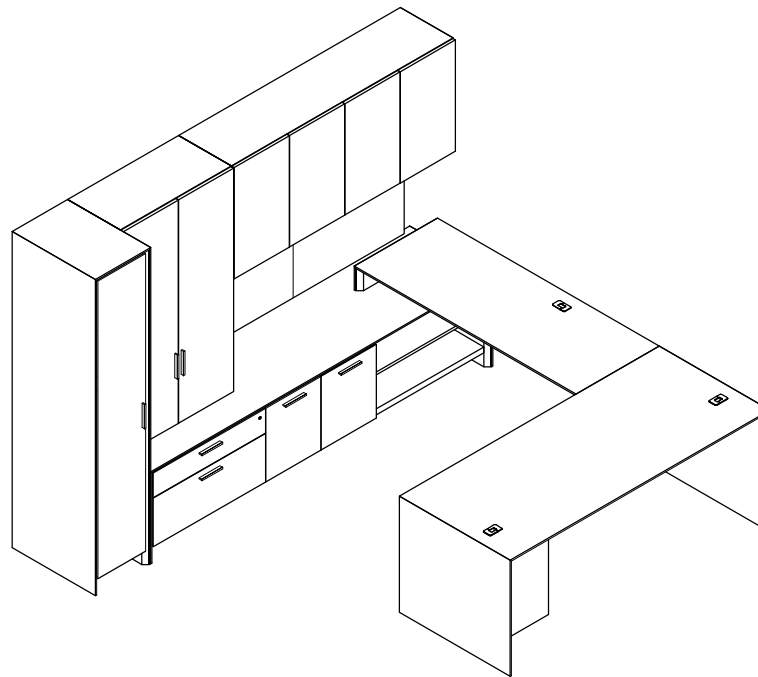
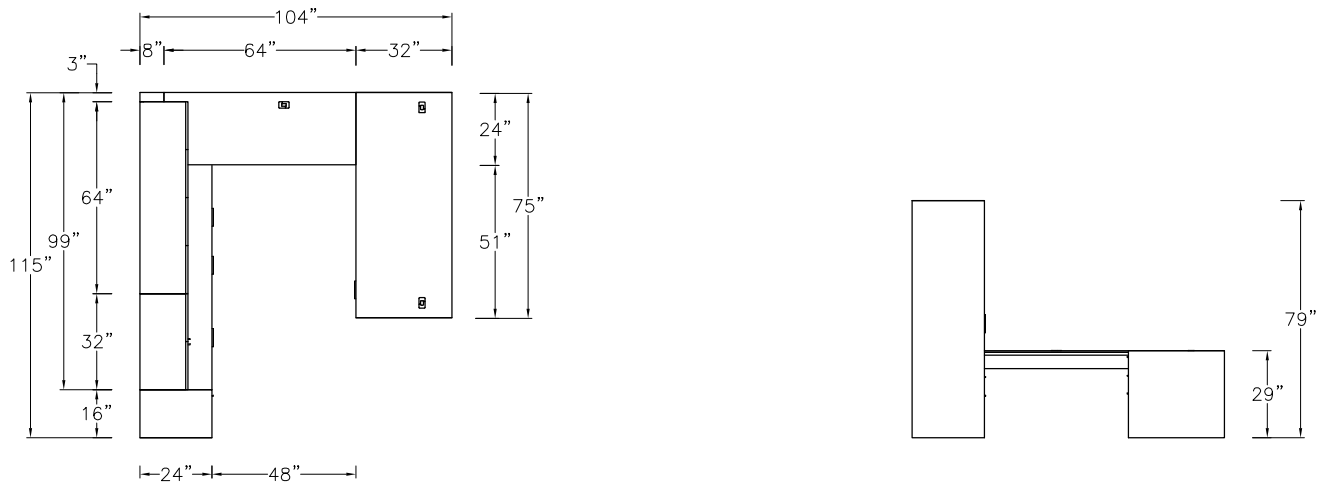
**\$18460**

**863**

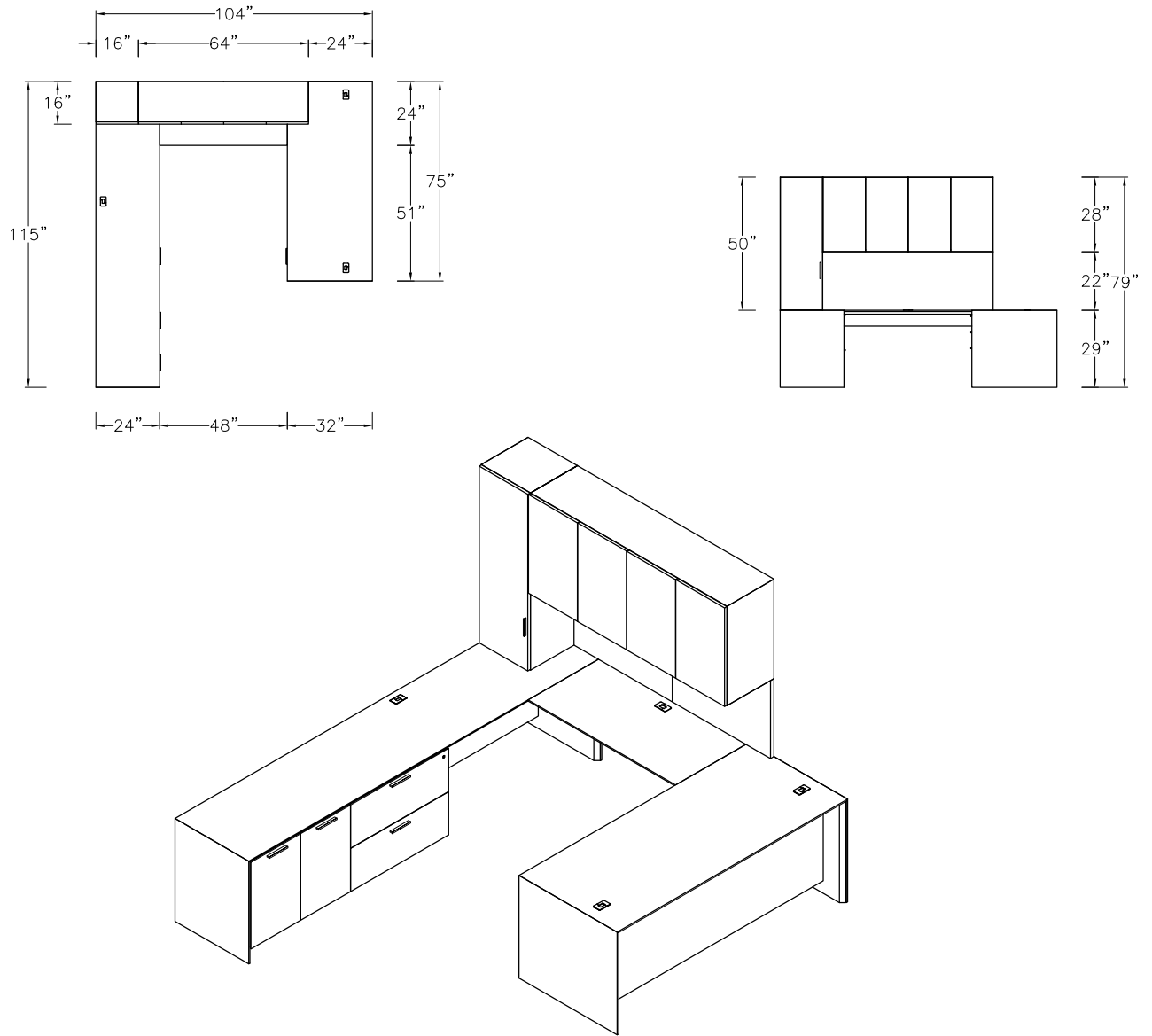


Model	Description	D	W	H	List Price	Weight-lbs
<b>U Workstation</b>						
AD0-3275-AR	Desk without modesty, b/b/f ped right	32"	75"	29"	\$4568	228
ABS-2464-L-MHLGBB	Station Bridge left	24"	64"	29"	\$1896	58
AC0-2411523-hhtax-GFR	Credenza, b/lat, b/f, landing zone peds	24"	115"	23"	\$8489	487
ASHT13-163256	Hinged Door Anchor, 1-bay, 3 adj shelves	16"	32"	56"	\$2895	139
ASWH31-168028-0-TBF	Wall Hung, hinged doors, 3-bay, 1 adj shelf each, LED lighting & tackboard	16"	80"	28"	\$5973	255
					<b>\$23821</b>	<b>1167</b>





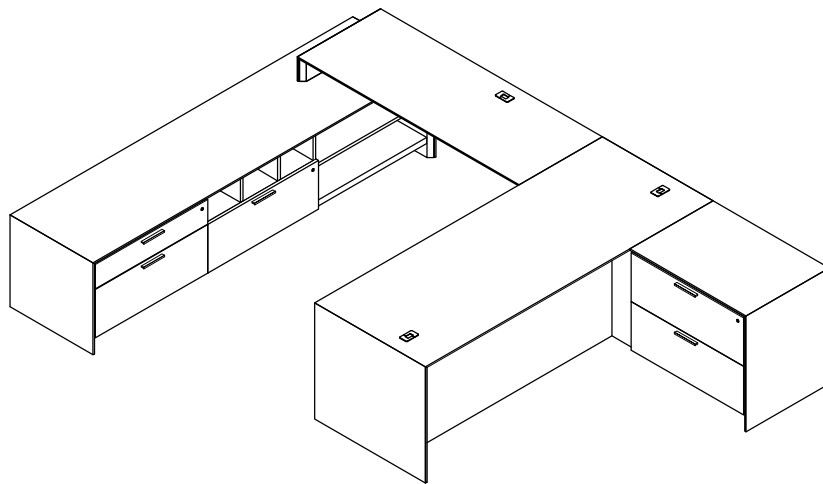
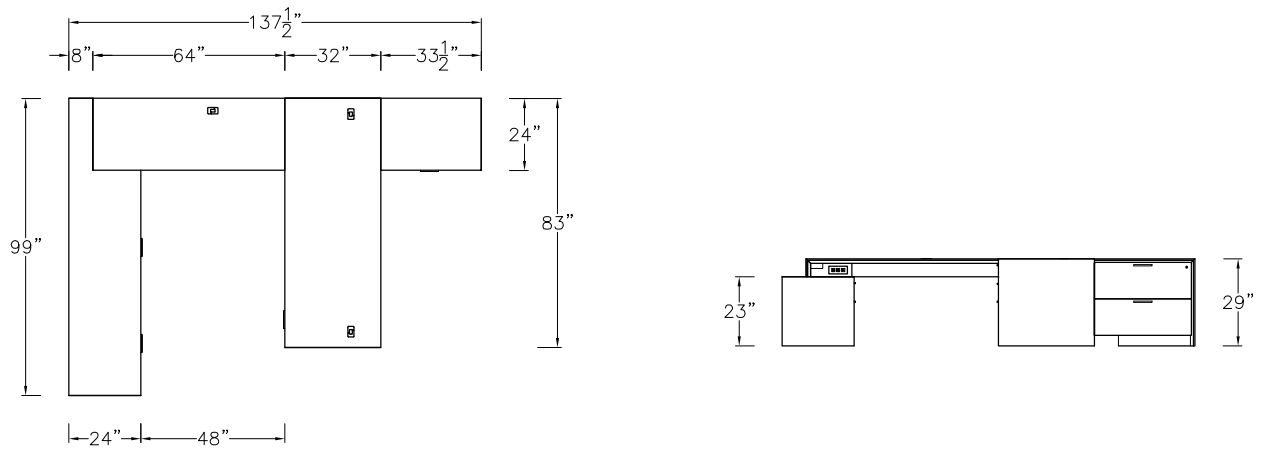
Model	Description	D	W	H	List Price	Weight-lbs
<b>U Workstation</b>						
AD0-3275-AR	Desk without modesty, b/b/f ped right	32"	75"	29"	\$4568	228
ABS-2464-L-MHLGBB	Station Bridge left	24"	64"	29"	\$1896	58
AC0-249923-thhx-GFR	Credenza, b/lat, b/f, landing zone peds	24"	99"	23"	\$6974	388
ASH014-241979-L	Hinged Door Anchor, 1-bay, 4 adj shelves, left	24"	19"	79"	\$4232	236
ASHT13-163256	Hinged Door Anchor, 1-bay, 3 adj shelves	16"	32"	56"	\$2895	139
ASWH21-166428-0-TBF	Wall Hung, hinged doors, 2-bay, 1 adj shelf each, LED lighting & tackboard	16"	64"	28"	\$4635	202
					<b>\$25200</b>	<b>1250</b>



Model	Description	D	W	H	List Price	Weight-lbs
<b>U Workstation</b>						
AD000L-3275-AR	Desk full modesty, b/b/f ped right	32"	75"	29"	\$5194	265
AB0-2448-0-GBC	Bridge	24"	48"	29"	\$1125	40
AC0-24115-HHE4-GBB	Credenza, 2 hinged doors w/1-bay 1 adj shelf, lat, removable mod peds	24"	115"	29"	\$7021	386
ASHT13-161650-L	Hinged Door Anchor, 1-bay, 3 adj shelves, left	16"	16"	50"	\$2223	82
ASWH21-166428-0-TBF	Wall Hung, hinged doors, 2-bay, 1 adj shelf each, LED lighting & tackboard	16"	64"	28"	\$4635	202
					<b>\$20198</b>	<b>975</b>

## Aero F Stations

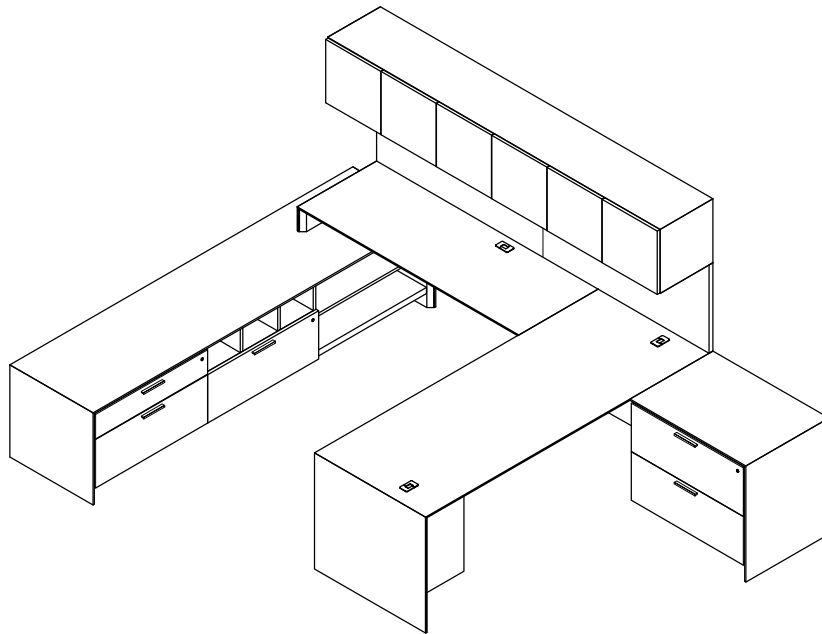
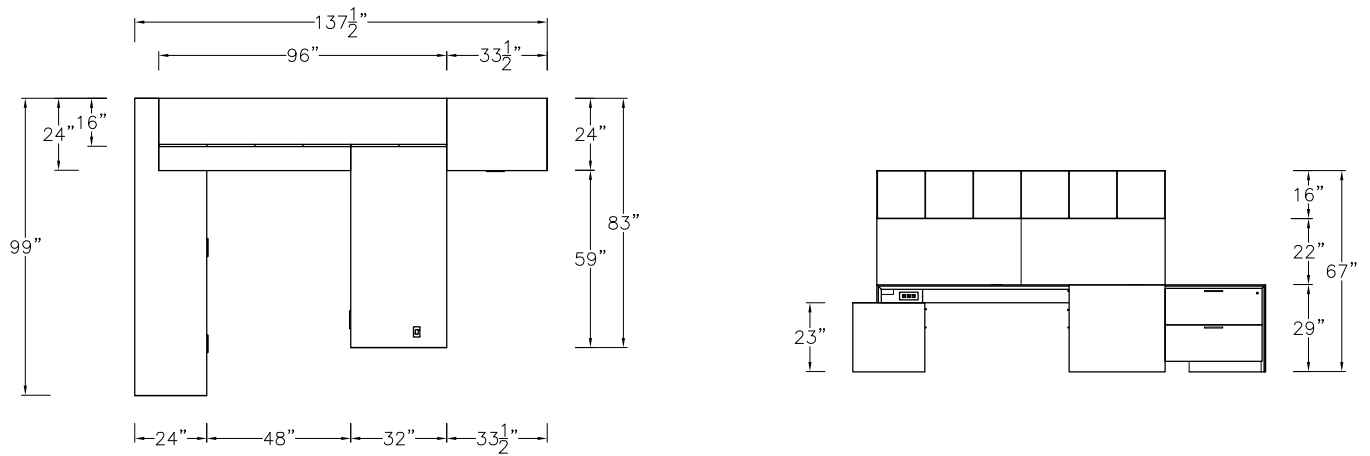




Model	Description	D	W	H	List Price	Weight-lbs
<b>F Workstation</b>						
AD000F-3283-AR	Desk full modesty w/filler, b/b/f ped right	32"	83"	29"	\$5339	278
AR0-2434-ER	Return, lat ped right	24"	33.5"	29"	\$3046	153
ABS-2464-L-MHL-GBB	Station Bridge, left	24"	64"	29"	\$1896	58
AC0-249923-tqx-GFR	Credenza, b/lat, org over lat, landing zone peds	24"	99"	23"	\$6799	398

**\$17080**

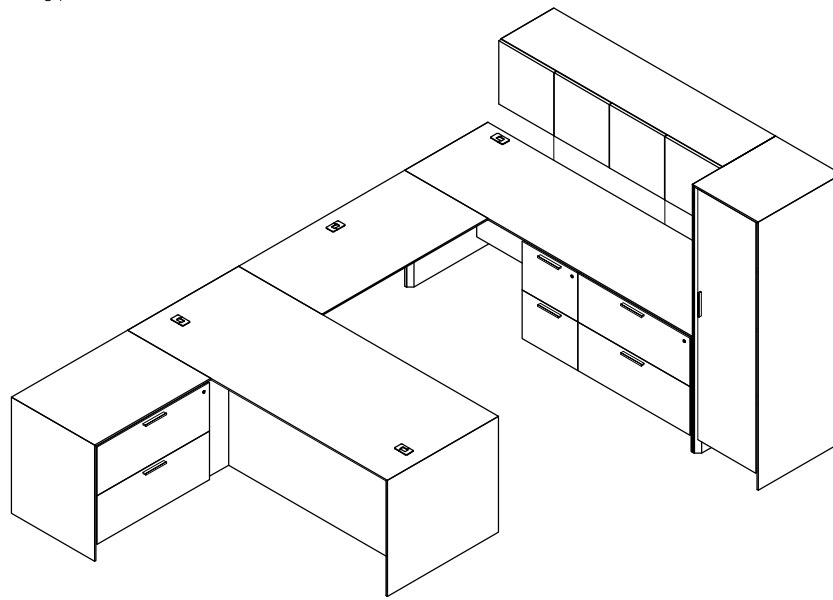
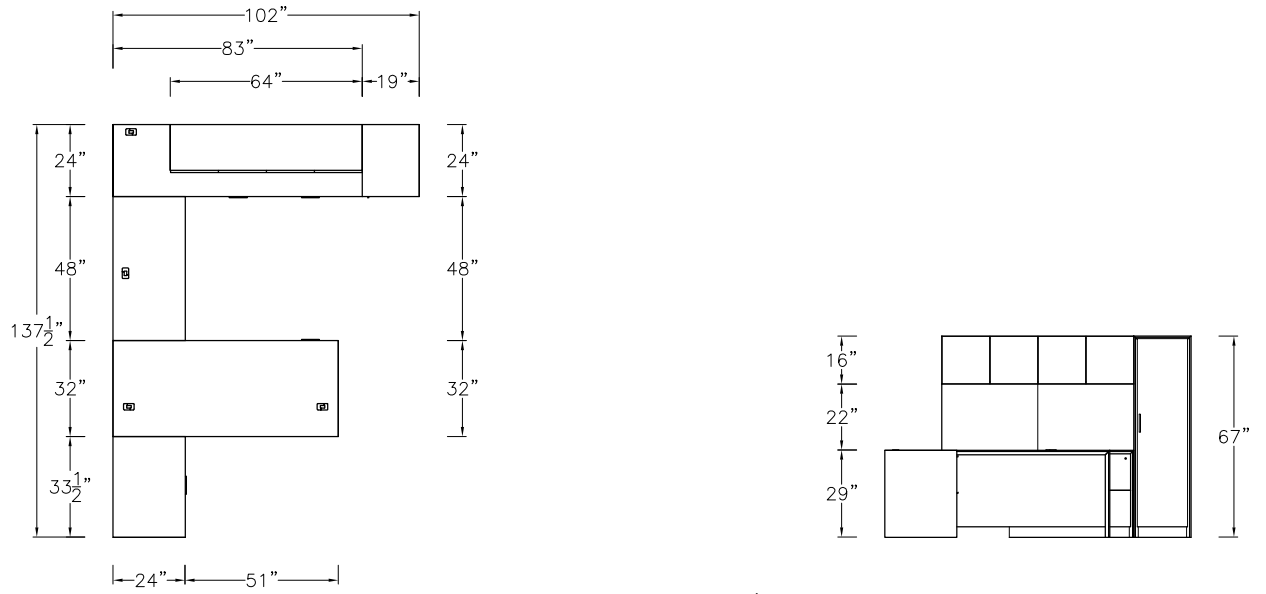
**887**



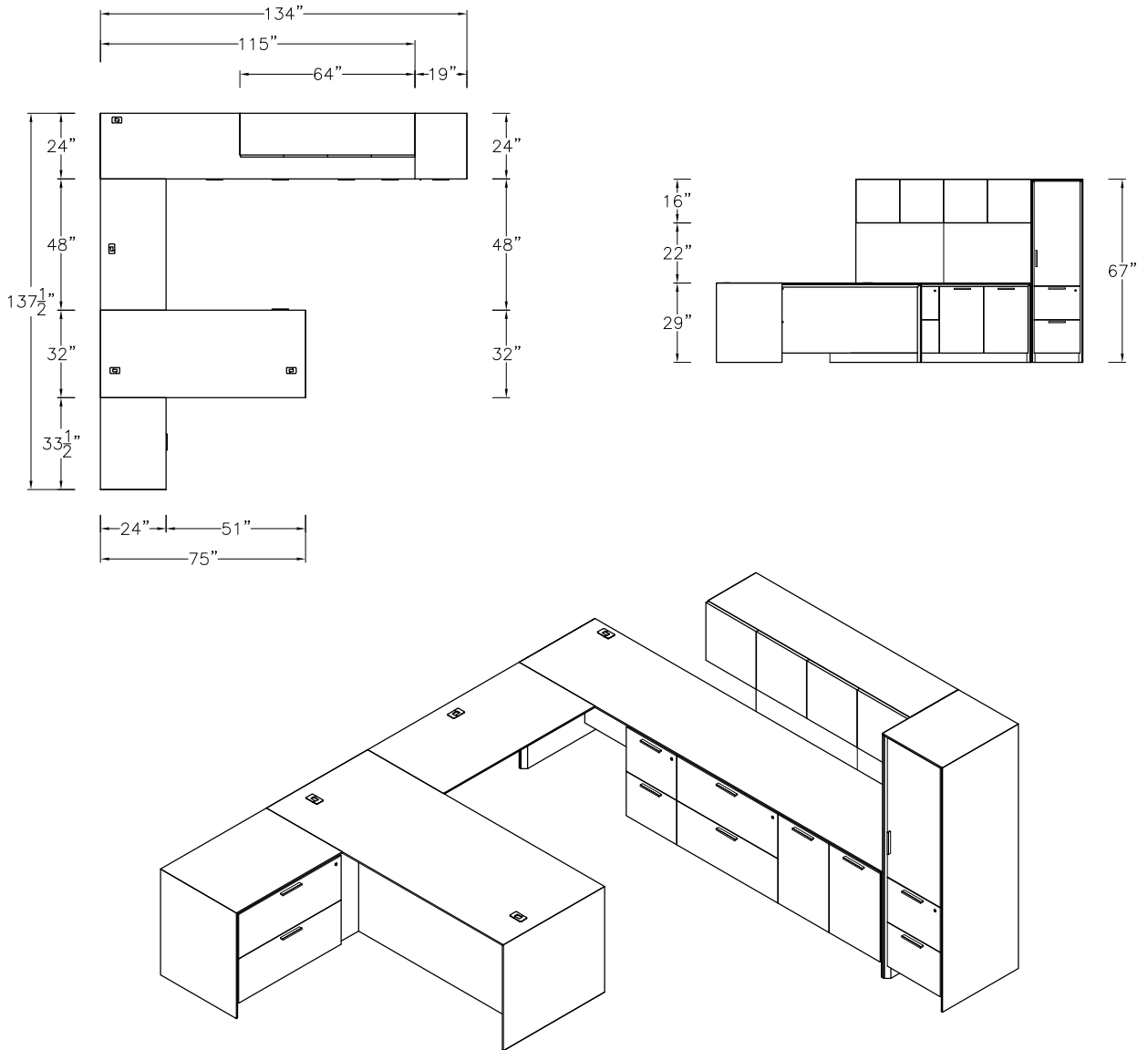
Model	Description	D	W	H	List Price	Weight-lbs
<b>F Workstation</b>						
AD0-3283-AR	Desk without modesty, b/b/f ped right	32"	83"	29"	\$4686	237
AR0-2434-ER	Return, lat ped right	24"	33.5"	29"	\$3046	153
ABS-2464-L-MHL-GBB	Station Bridge, left	24"	64"	29"	\$1896	58
AC0-249923-tqx-GFR	Credenza, b/lat, org over lat, landing zone peds	24"	99"	23"	\$6799	398
ASWH3-169616-0-TBF	Wall Hung, hinged doors, 3-bay, LED lighting & tackboard	16"	96"	16"	\$5687	203

\$22114

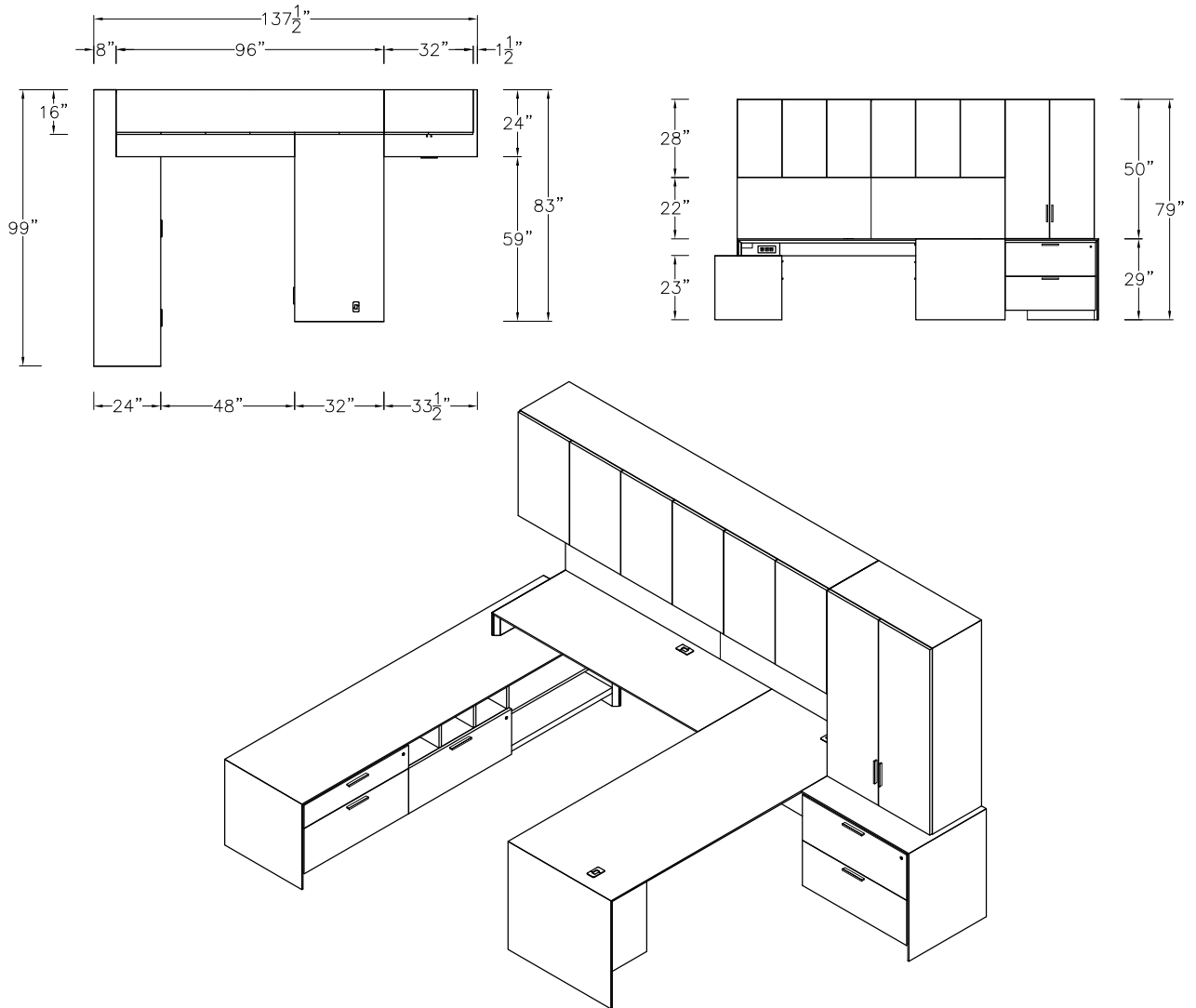
1049



Model	Description	D	W	H	List Price	Weight-lbs
<b>F Workstation</b>						
AD000F-3275-AL	Desk full modesty w/filler, b/b/f ped left	32"	75"	29"	\$5194	265
AR0-2434-EL	Return, lat ped left	24"	33.5"	29"	\$3046	153
AB0-2448-0-GBC	Bridge	24"	48"	29"	\$1125	40
AC0-2483-3BE-GBL	Credenza, removable mod, f/f, lat, peds	24"	83"	29"	\$6363	355
ASWH2-166416-0-TBF	Wall Hung, hinged doors, 2-bay, LED lighting & tackboard	16"	64"	16"	\$4007	137
ASH013-241967-R	Hinged Door Anchor, 1-bay, 3 adj shelves, right	24"	19"	67"	\$3589	202
					<b>\$23324</b>	<b>1152</b>

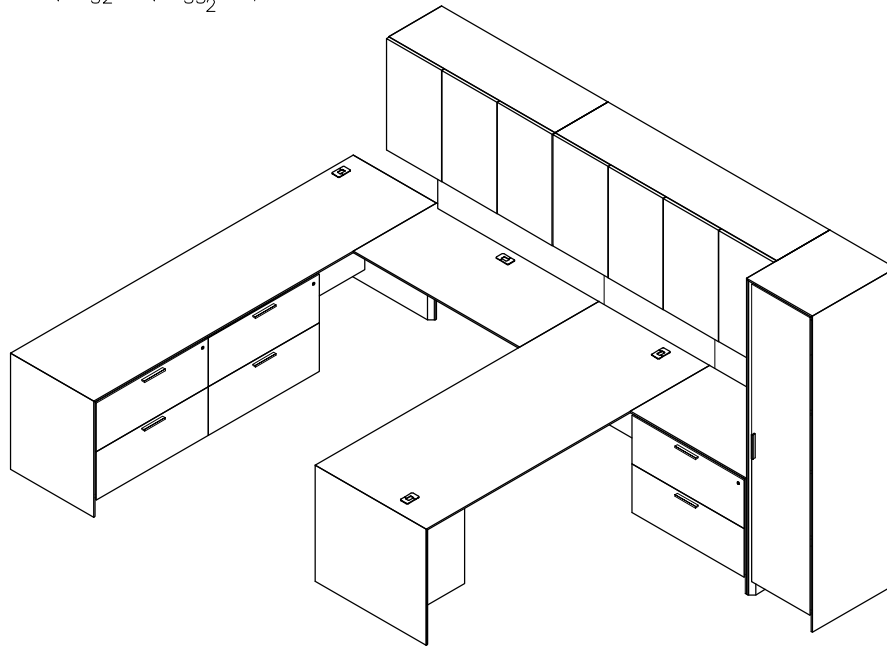
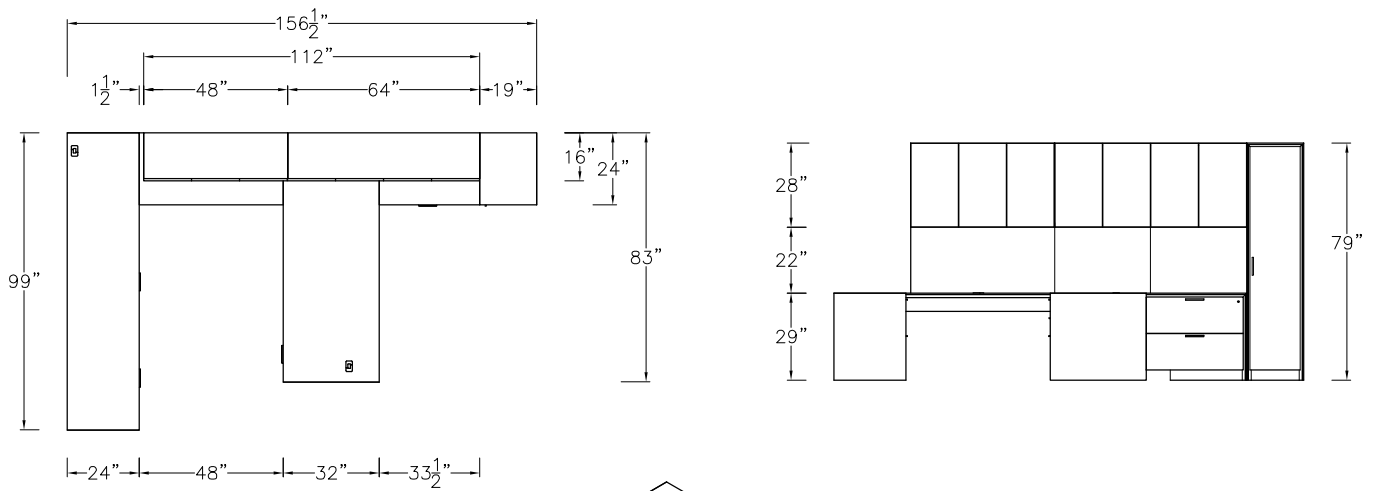


Model	Description	D	W	H	List Price	Weight-lbs
<b>F Workstation</b>						
AD000F-3275-AL	Desk full modesty w/filler, b/b/f ped left	32"	75"	29"	\$5194	265
AR0-2434-EL	Return, lat ped left	24"	33.5"	29"	\$3046	153
AB0-2448-0-GBC	Bridge	24"	48"	29"	\$1125	40
AC0-24115-3BEHH-GBL	Credenza, removable mod, f/f, lat, 2 hinged doors w/1-bay 1 adj shelf, peds	24"	115"	29"	\$8384	458
ASWH2-166416-0-TBF	Wall Hung, hinged doors, 2-bay, LED lighting & tackboard	16"	64"	16"	\$4007	137
ASSD122-241967-R	File Storage Anchor, 1-bay, 3 adj shelves over f/f, right	24"	19"	67"	\$4682	232
					<b>\$26438</b>	<b>1285</b>



Model	Description	D	W	H	List Price	Weight-lbs
<b>F Workstation</b>						
AD0-3283-AR	Desk without modesty, b/b/f ped right	32"	83"	29"	\$4686	237
AR0-2434-ER	Return, lat ped right	24"	33.5"	29"	\$3046	153
ABS-2464-L-MHL-GBB	Station Bridge, left	24"	64"	29"	\$1896	58
AC0-249923-tqx-GFR	Credenza, b/lat, org over lat, landing zone peds	24"	99"	23"	\$6799	398
ASWH31-169628-0-TBF	Wall Hung, hinged doors, 3-bay, 1 adj shelf each, LED lighting & tackboard	16"	96"	28"	\$6620	299
ASSHT13-163250	File Hinged Door Anchor, 1 bay, 3 adj sheves over f/f	16"	32"	50"	\$2761	131
					<b>\$25808</b>	<b>1276</b>





Model	Description	D	W	H	List Price	Weight-lbs
<b>F Workstation</b>						
AD0-3283-AR	Desk without modesty, b/b/f ped right	32"	83"	29"	\$4686	237
AR0-2434-ER	Return, lat ped right	24"	33.5"	29"	\$3046	153
AB0-2448-0-GBC	Bridge	24"	48"	29"	\$1125	40
AC0-2499-EE3-GBR	Credenza, lat, lat, removable mod, peds	24"	99"	29"	\$6819	396
ASWH21-164828-0-TBF	Wall Hung, hinged doors, 2-bay, 1 adj shelf each, LED lighting & tackboard	16"	48"	28"	\$4156	159
ASWH21-166428-0-TBF	Wall Hung, hinged doors, 2-bay, 1 adj shelf each, LED lighting & tackboard	16"	64"	28"	\$4635	202
ASSH014-241979-R	Hinged Door Anchor, 1 bay, 4 adj shelves, right	24"	19"	79"	\$4232	236
					<b>\$28699</b>	<b>1423</b>

**CCN International** manufactures high-quality office furniture for management, executive, conference and reception areas. We are known for our level of detail, our flexibility and our shared appreciation for the beauty and warmth of wood furniture. The philosophy is evident throughout our product line, ranging from traditional to contemporary to artisan style office furniture.

For more information visit [www.ccnintl.com](http://www.ccnintl.com).



CCN International Inc.  
200 Lehigh Street  
Geneva, NY 14456  
315-789-4400  
[www.ccnintl.com](http://www.ccnintl.com)